

PARTS CATALOG

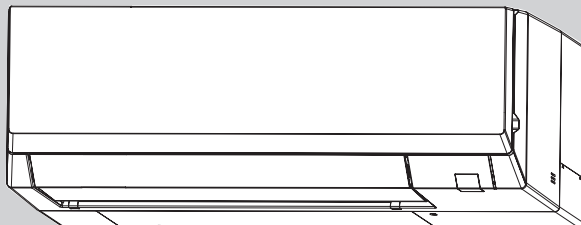
Series PKA Wall Mounted R32/R410A

Indoor unit [Model Name]	[Service Ref.]
PKA-M35LA	PKA-M35LA.TH
PKA-M35LA-ER	PKA-M35LA-ER.TH
PKA-M35LA-ET	PKA-M35LA-ET.TH
PKA-M50LA	PKA-M50LA.TH
PKA-M50LA-ER	PKA-M50LA-ER.TH
PKA-M50LA-ET	PKA-M50LA-ET.TH
PKA-M35LAL	PKA-M35LAL.TH
PKA-M35LAL-ER	PKA-M35LAL-ER.TH
PKA-M35LAL-ET	PKA-M35LAL-ET.TH
PKA-M50LAL	PKA-M50LAL.TH
PKA-M50LAL-ER	PKA-M50LAL-ER.TH
PKA-M50LAL-ET	PKA-M50LAL-ET.TH

CONTENTS

1. SERVICE PARTS LIST..... 2
2. OPTIONAL PARTS..... 6

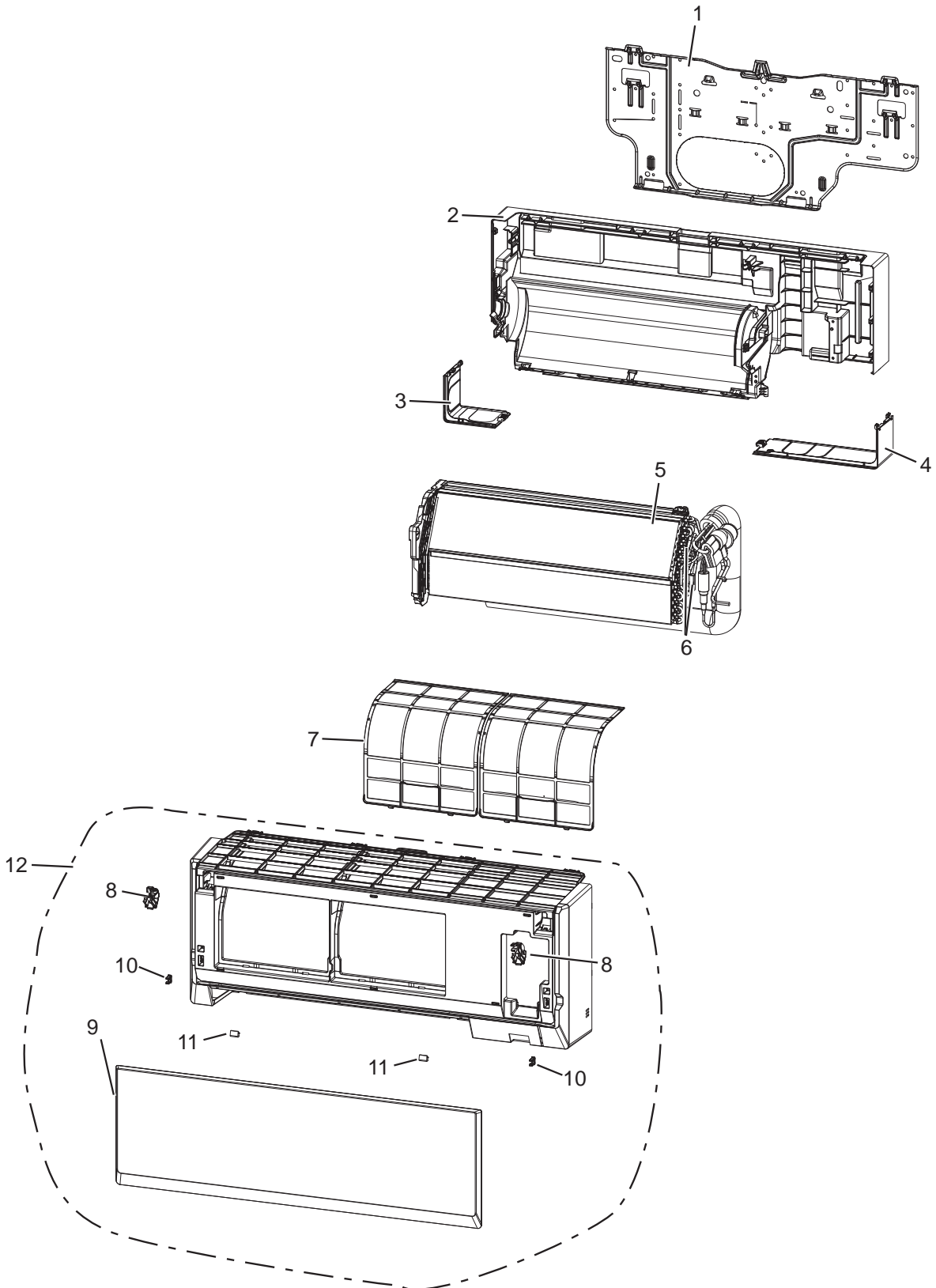
SERVICE MANUAL (OCH758)

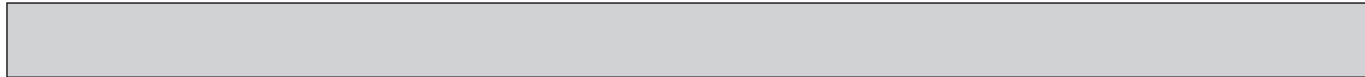


INDOOR UNIT

PANEL AND HEAT EXCHANGER PARTS

PKA-M35LA.TH	PKA-M35LA-ER.TH	PKA-M35LA-ET.TH
PKA-M50LA.TH	PKA-M50LA-ER.TH	PKA-M50LA-ET.TH
PKA-M35LAL.TH	PKA-M35LAL-ER.TH	PKA-M35LAL-ET.TH
PKA-M50LAL.TH	PKA-M50LAL-ER.TH	PKA-M50LAL-ET.TH

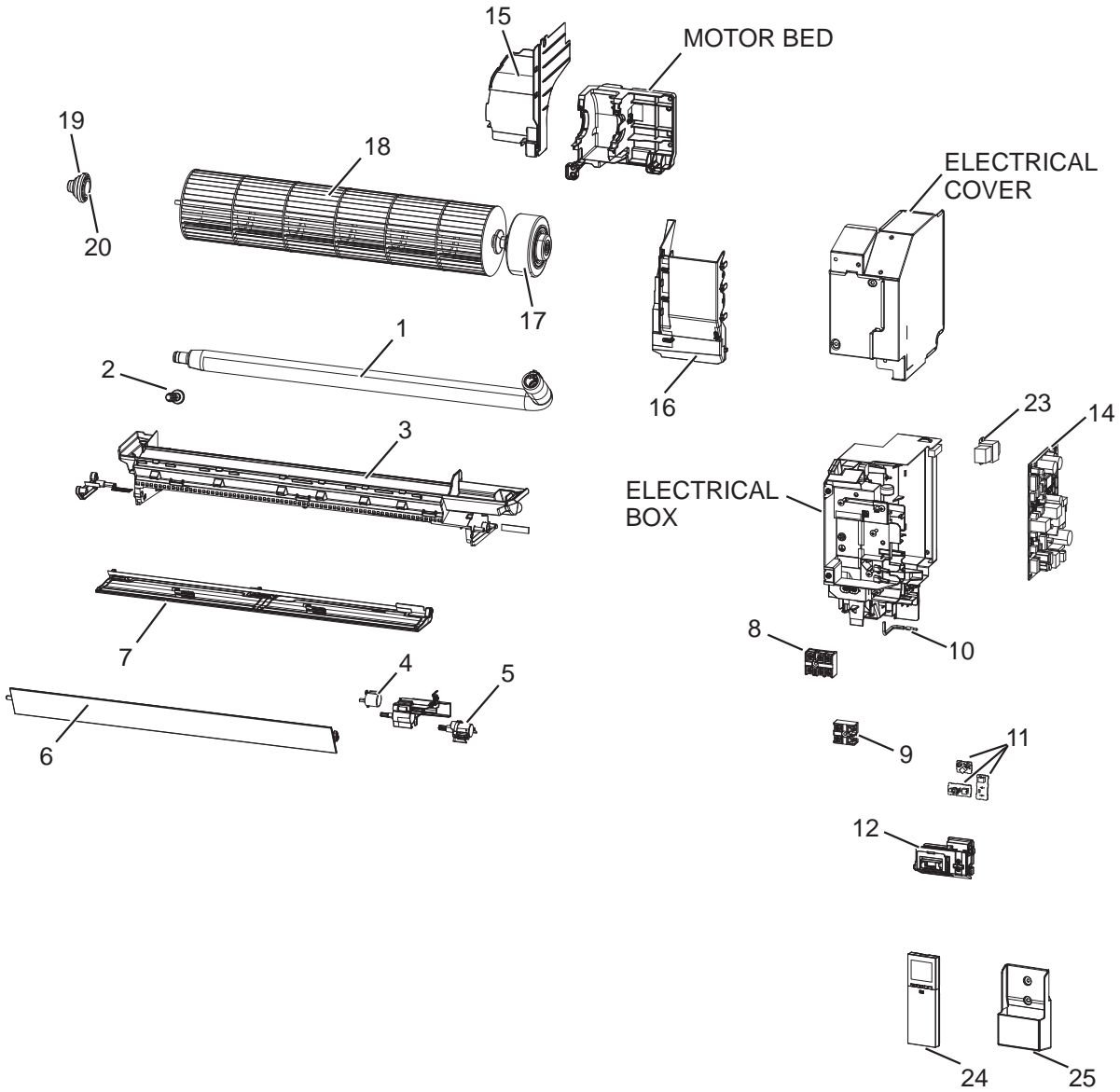




No.	Parts No.	Parts Name	PKA-M35LA.TH	PKA-M35LA-ER.TH	PKA-M35LA-ET.TH	PKA-M50LA.TH	PKA-M50LA-ER.TH	PKA-M50LA-ET.TH	PKA-M35LAL.TH	PKA-M35LAL-ER.TH	PKA-M35LAL-ET.TH	PKA-M50LAL.TH	PKA-M50LAL-ER.TH	PKA-M50LAL-ET.TH	Wiring Diagram Symbol	Remarks [Drawing No.]
1	E27 P68 970	INSTALLATION PLATE	1	1	1	1	1	1	1	1	1	1	1	1		
2	E27 P68 234	BOX ASSEMBLY	1	1	1	1	1	1	1	1	1	1	1	1		
3	E27 P63 976	CORNER BOX L	1	1	1	1	1	1	1	1	1	1	1	1		
4	E27 P63 975	CORNER BOX R	1	1	1	1	1	1	1	1	1	1	1	1		
5	E27 13D 620	INDOOR HEAT EXCHANGER	1	1	1	1	1	1	1	1	1	1	1	1		
6	E27 13D 307	INDOOR COIL THERMISTOR	1	1	1	1	1	1	1	1	1	1	1	1	TH2, TH5	
7	E27 P68 100	AIR FILTER	2	2	2	2	2	2	2	2	2	2	2	2		
8	E27 P63 021	ARM HOLDER SET	1	1	1	1	1	1	1	1	1	1	1	1		Set (left, right)
9	E27 P68 010	FRONT PANEL	1	1	1	1	1	1	1	1	1	1	1	1		
10	E22 F95 142	CATCH	2	2	2	2	2	2	2	2	2	2	2	2		2 pcs/set
11	E22 98B 067	SCREW CAP	2	2	2	2	2	2	2	2	2	2	2	2		2 pcs/set
12	E27 P68 000	PANEL ASSEMBLY	1	1	1	1	1	1	1	1	1	1	1	1		Includes 8, 9, 10 and 11

FAN AND ELECTRICAL PARTS

PKA-M35LA.TH	PKA-M35LA-ER.TH	PKA-M35LA-ET.TH
PKA-M50LA.TH	PKA-M50LA-ER.TH	PKA-M50LA-ET.TH
PKA-M35LAL.TH	PKA-M35LAL-ER.TH	PKA-M35LAL-ET.TH
PKA-M50LAL.TH	PKA-M50LAL-ER.TH	PKA-M50LAL-ET.TH





No.	Parts No.	Parts Name	PKA-M35LA.TH	PKA-M35LA-ER.TH	PKA-M35LA-ET.TH	PKA-M50LA.TH	PKA-M50LA-ER.TH	PKA-M50LA-ET.TH	PKA-M35LAL.TH	PKA-M35LAL-ER.TH	PKA-M35LAL-ET.TH	PKA-M50LAL.TH	PKA-M50LAL-ER.TH	PKA-M50LAL-ET.TH	Wiring Diagram Symbol	Remarks [Drawing No.]
1	E22 T20 702	DRAIN HOSE	1	1	1	1	1	1	1	1	1	1	1	1		
2	-	DRAIN CAP	1	1	1	1	1	1	1	1	1	1	1	1		[SU26R611H01]
3	E27 13D 235	NOZZLE ASSEMBLY	1	1	1	1	1	1	1	1	1	1	1	1		Full assembly except drain hose
4	E27 103 303	VANE MOTOR (UPPER)	1	1	1	1	1	1	1	1	1	1	1	1	MV1	
5	E22 Y54 303	VANE MOTOR (LOWER)	1	1	1	1	1	1	1	1	1	1	1	1	MV2	
6	E27 13D 040	VANE UPPER	1	1	1	1	1	1	1	1	1	1	1	1		
7	E27 13D 041	VANE LOWER	1	1	1	1	1	1	1	1	1	1	1	1		
8	E27 489 375	TERMINAL BLOCK	1	1	1	1	1	1	1	1	1	1	1	1	TB4	
9	E27 249 375	TERMINAL BLOCK	1	1	1	1	1	1							TB5	
10	E27 P63 308	ROOM TEMP. THERMISTOR	1	1	1	1	1	1	1	1	1	1	1	1	TH1	
11	E27 Y99 468	DISPLAY AND RECEIVER P.C. BOARD	1	1	1	1	1	1	1	1	1	1	1	1	L.B., W.B., S.B.	
12	E27 P63 095	DISPLAY RECEIVER HOLDER	1	1	1	1	1	1	1	1	1	1	1	1		
13	E22 784 382	FUSE	1	1	1	1	1	1	1	1	1	1	1	1	FUSE	T3.15AL250V
14	E27 13D 447	INDOOR CONTROLLER BOARD	1	1	1	1	1	1	1	1	1	1	1	1	I.B.	
15	E27 P63 333	MOTOR BAND	1	1	1	1	1	1	1	1	1	1	1	1		
16	E27 P63 541	WATER COVER	1	1	1	1	1	1	1	1	1	1	1	1		
17	E27 13D 300	INDOOR FAN MOTOR	1	1	1	1	1	1	1	1	1	1	1	1	MF	Includes rubber mounts
18	E27 P68 302	LINE FLOW FAN	1	1	1	1	1	1	1	1	1	1	1	1		
19	E22 751 509	BEARING MOUNT	1	1	1	1	1	1	1	1	1	1	1	1		
20	E22 001 504	SLEEVE BEARING	1	1	1	1	1	1	1	1	1	1	1	1		
21	E22 C32 667	UNION 1/4"	1	1	1	1	1	1	1	1	1	1	1	1		for liquid
22	E22 179 667	UNION 1/2"	1	1	1	1	1	1	1	1	1	1	1	1		for gas
23	E27 13D 337	REACTOR	1	1	1	1	1	1	1	1	1	1	1	1	ACL	
24	E27 F89 426	REMOTE CONTROLLER							1	1	1	1	1	1		PAR-SL100A-E
25	E27 D44 083	REMOTE CONTROLLER HOLDER							1	1	1	1	1	1		

2

OPTIONAL PARTS

PARTS NAME	PARTS NO.	PKA-LA	PKA-LAL
Drain pump	PAC-SK01DM-E	○	○
System control interface	MAC-334IF-E	○	○
MA and contact terminal interface	MAC-397IF-E	○	○
Wi-Fi interface	MAC-567IF-E	○	○
Power supply terminal kit	PAC-SK38HR-E	○	○
Wired remote controller	PAR-40MAA PAR-CT01MAA PAC-YT52CRA	○	○
Terminal block kit for PKA	PAC-SH29TC-E	—	○
Wireless R/C	PAR-SL97A-E PAR-SL100A-E	○	○
Remote sensor	PAC-SE41TS-E	○	○
Remote on/off adapter	PAC-SE55RA-E	○	○
Connector cable for remote display	PAC-SA88HA-E	○	○

MITSUBISHI ELECTRIC CORPORATION

HEAD OFFICE : TOKYO BUILDING, 2-7-3, MARUNOUCHI, CHIYODA-KU TOKYO 100-8310, JAPAN