

PARTS CATALOG

<Outdoor unit>
[Model Name]
[Service Ref.]

PUMY-P112VKM4
 PUMY-P125VKM4
 PUMY-P140VKM4
 PUMY-P112YKM4
 PUMY-P125YKM4
 PUMY-P140YKM4
 PUMY-P112YKME4
 PUMY-P125YKME4
 PUMY-P140YKME4

PUMY-P112VKM4
 PUMY-P125VKM4
 PUMY-P140VKM4
 PUMY-P112YKM4
 PUMY-P125YKM4
 PUMY-P140YKM4
 PUMY-P112YKME4
 PUMY-P125YKME4
 PUMY-P140YKME4

PUMY-P112VKM4R1
 PUMY-P125VKM4R1
 PUMY-P140VKM4R1
 PUMY-P112YKM4R1
 PUMY-P125YKM4R1
 PUMY-P140YKM4R1
 PUMY-P112YKME4R1
 PUMY-P125YKME4R1
 PUMY-P140YKME4R1

Revision:

- PUMY-P112VKM4R1(-BS), PUMY-P125VKM4R1(-BS), PUMY-P140VKM4R1(-BS), PUMY-P112YKM4R1(-BS), PUMY-P125YKM4R1(-BS), PUMY-P140YKM4R1(-BS), PUMY-P112YKME4R1(-BS), PUMY-P125YKME4R1(-BS) and PUMY-P140YKME4R1(-BS), have been added in REVISED EDITION-C.

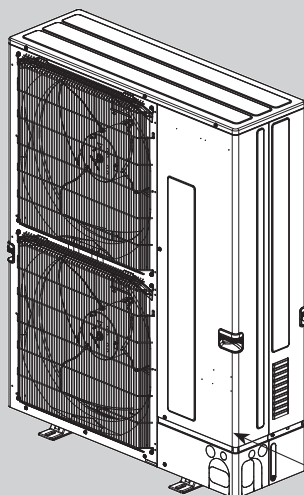
OCB673 REVISED EDITION-B is void

Salt proof model

PUMY-P112VKM4-BS
 PUMY-P125VKM4-BS
 PUMY-P140VKM4-BS
 PUMY-P112YKM4-BS
 PUMY-P125YKM4-BS
 PUMY-P140YKM4-BS
 PUMY-P112YKME4-BS
 PUMY-P125YKME4-BS
 PUMY-P140YKME4-BS

PUMY-P112VKM4-BS
 PUMY-P125VKM4-BS
 PUMY-P140VKM4-BS
 PUMY-P112YKM4-BS
 PUMY-P125YKM4-BS
 PUMY-P140YKM4-BS
 PUMY-P112YKME4-BS
 PUMY-P125YKME4-BS
 PUMY-P140YKME4-BS

PUMY-P112VKM4R1-BS
 PUMY-P125VKM4R1-BS
 PUMY-P140VKM4R1-BS
 PUMY-P112YKM4R1-BS
 PUMY-P125YKM4R1-BS
 PUMY-P140YKM4R1-BS
 PUMY-P112YKME4R1-BS
 PUMY-P125YKME4R1-BS
 PUMY-P140YKME4R1-BS



Model name indication

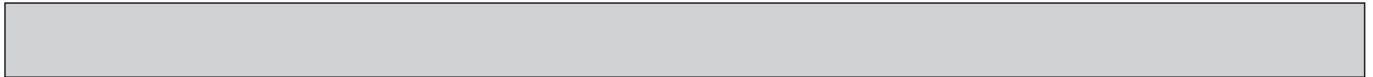
OUTDOOR UNIT

CONTENTS

1. SERVICE PARTS LIST..... 2
2. OPTIONAL PARTS..... 10

SERVICE MANUAL (OCH673)

CITY MULTI



No.	Parts No.	Parts Name	Specification	Q'ty/unit						Remarks (Drawing No.)	Wiring Diagram Symbol
				PUMY-							
				P112VKM4(R1)	P112VKM4(R1)-BS	P125VKM4(R1)	P125VKM4(R1)-BS	P140VKM4(R1)	P140VKM4(R1)-BS		
1	—	F. ST SCREW	(5x12)	40	40	40	40	40	40	(BT12L041H12)	
2	R01 E30 662	SIDE PANEL(L)		1	1	1	1	1	1		
3	R01 E02 631	ICE GUARD		2	2	2	2	2	2		
4	T7W E13 691	WIRE GRILLE		2	2	2	2	2	2		
5	R01 E05 655	HANDLE(FRONT)		2	2	2	2	2	2		
6	R01 E23 668	FRONT PANEL		1	1	1	1	1	1		
7	R01 E53 686	BASE ASSY		1	1	1	1	1	1		
8	—	SEPARATOR		1	1	1	1	1	1	(BK00B817GR6)	
9	R01 E41 658	COVER PANEL(FRONT)		1	1	1	1	1	1		
10	R01 E34 658	COVER PANEL(REAR)		1	1	1	1	1	1		
11	R01 E06 655	HANDLE(REAR)		2	2	2	2	2	2		
12	R01 E55 661	SIDE PANEL(R)		1	1	1	1	1	1		
13	T7W E20 668	SERVICE PANEL		1	1	1	1	1	1		
14	T7W A11 005	BRAND LABEL (ME_CM)	CITY MULTI	1	1	1	1	1	1		
15	—	VALVE BED		1	1	1	1	1	1	(BK00C375G62)	
16	R01 E10 698	REAR GUARD		1	1	1	1	1	1		
17	R01 E36 641	TOP PANEL		1	1	1	1	1	1		
18	R01 E59 130	MOTOR SUPPORT		1	1	1	1	1	1		

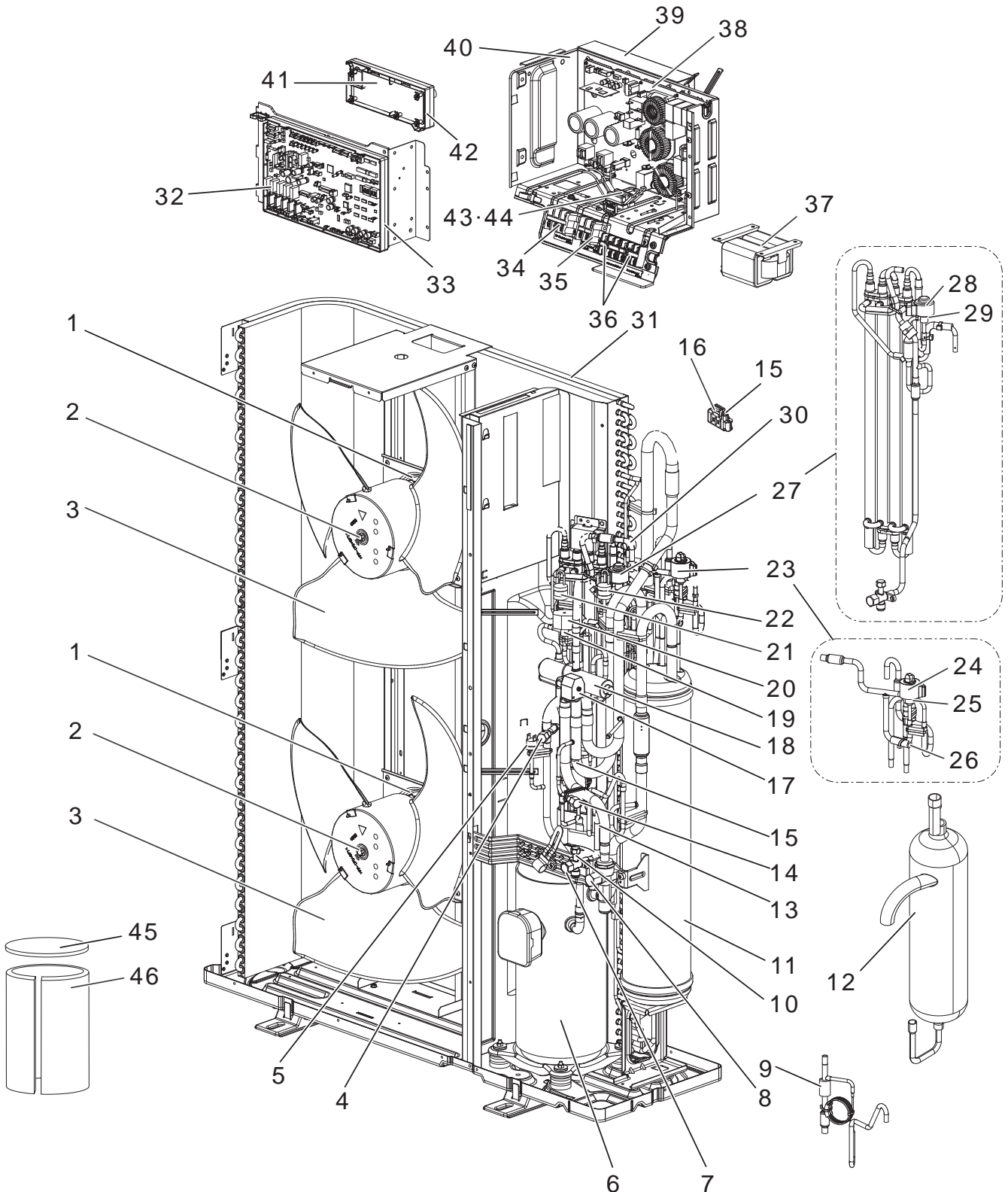
No.	Parts No.	Parts Name	Specification	Q'ty/unit										Remarks (Drawing No.)	
				PUMY-											
				P112YKM4(R1)	P112YKM4(R1)-BS	P125YKM4(R1)	P125YKM4(R1)-BS	P140YKM4(R1)	P140YKM4(R1)-BS	P112YKME4(R1)	P112YKME4(R1)-BS	P125YKME4(R1)	P125YKME4(R1)-BS		P140YKME4(R1)
1	—	F. ST SCREW	(5X12)	40	40	40	40	40	40	40	40	40	40	40	(BT12L041H12)
2	R01 E30 662	SIDE PANEL(L)		1	1	1	1	1	1	1	1	1	1	1	
3	R01 E02 631	ICE GUARD		2	2	2	2	2	2	2	2	2	2	2	
4	T7W E13 691	WIRE GRILLE		2	2	2	2	2	2	2	2	2	2	2	
5	R01 E05 655	HANDLE(FRONT)		2	2	2	2	2	2	2	2	2	2	2	
6	R01 E23 668	FRONT PANEL		1	1	1	1	1	1	1	1	1	1	1	
7	R01 E53 686	BASE ASSY		1	1	1	1	1	1	1	1	1	1	1	
8	—	SEPARATOR		1	1	1	1	1	1	1	1	1	1	1	(BK00B817GR9)
9	R01 E41 658	COVER PANEL(FRONT)		1	1	1	1	1	1	1	1	1	1	1	
10	R01 E34 658	COVER PANEL(REAR)		1	1	1	1	1	1	1	1	1	1	1	
11	R01 E06 655	HANDLE(REAR)		2	2	2	2	2	2	2	2	2	2	2	
12	R01 E72 661	SIDE PANEL(R)		1	1	1	1	1	1	1	1	1	1	1	
13	T7W E21 667	SERVICE PANEL		1	1	1	1	1	1	1	1	1	1	1	
14	T7W A11 005	BRAND LABEL (ME_CM)	CITY MULTI	1	1	1	1	1	1	1	1	1	1	1	
15	—	VALVE BED		1	1	1	1	1	1	1	1	1	1	1	(BK00C375G62)
16	R01 E10 698	REAR GUARD		1	1	1	1	1	1	1	1	1	1	1	
17	R01 E36 641	TOP PANEL		1	1	1	1	1	1	1	1	1	1	1	
18	R01 E59 130	MOTOR SUPPORT		1	1	1	1	1	1	1	1	1	1	1	

1-2. FUNCTIONAL PARTS

PUMY-P112VKM4(R1)
PUMY-P112VKM4(R1)-BS

PUMY-P125VKM4(R1)
PUMY-P125VKM4(R1)-BS

PUMY-P140VKM4(R1)
PUMY-P140VKM4(R1)-BS



Part numbers that are circled are not shown in the figure.

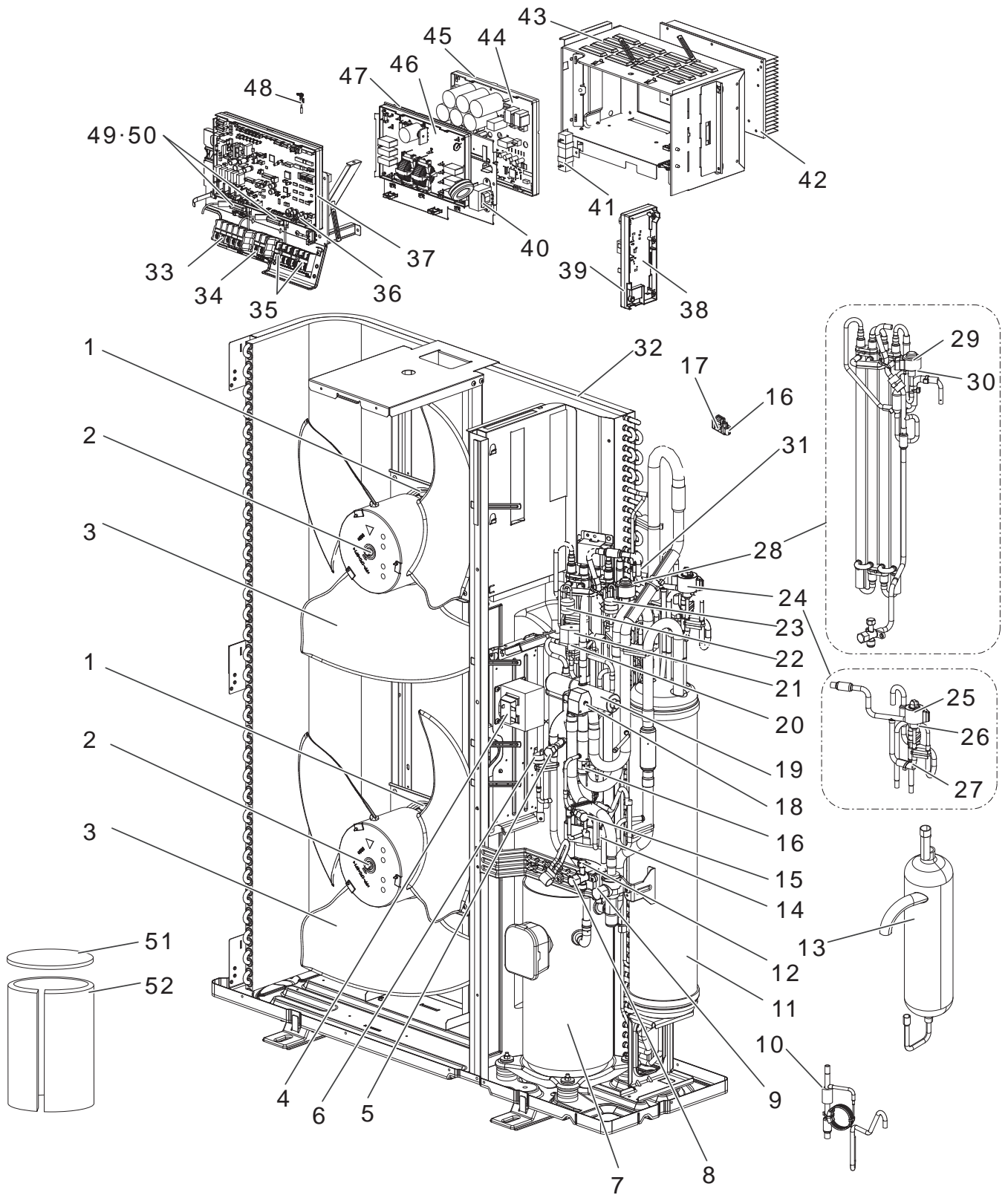
No.	Parts No.	Parts Name	Specification	Q'ty/unit						Remarks (Drawing No.)	Wiring Diagram Symbol
				PUMY-							
				P112VKM4(R1)	P112VKM4(R1)-BS	P125VKM4(R1)	P125VKM4(R1)-BS	P140VKM4(R1)	P140VKM4(R1)-BS		
1	R01 E83 221	FAN MOTOR		2	2	2	2	2	2		MF1, MF2
2	R01 E16 097	CAP NUT (MEC)M6		2	2	2	2	2	2		
3	R01 E16 115	PROPELLER FAN /D550		2	2	2	2	2	2		
4	R01 E29 413	CHARGE PLUG /LB54		1	1	1	1	1	1		
5	R01 H06 208	HIGH PRESSURE SWITCH		1	1	1	1	1	1		63H
6	T97 477 077	COMPRESSOR	ANB33FNHMT	1	1	1	1	1	1	Includes RUBBERMOUNT	MC
7	R01 E25 410	STOP VALVE 3/8F	3/8	1	1	1	1	1	1		
8	R01 E16 411	BALL VALVE 5/8F	5/8	1	1	1	1	1	1	Includes STRAINER	
9	R01 E02 426	CT ASSY		1	1	1	1	1	1		
10	R01 E36 201	THERMISTOR (SHELL)	Compressor	1	1	1	1	1	1		TH4
11	R01 E81 440	ACCUMULATOR		1	1	1	1	1	1		
12	R01 E16 490	OIL SEPARATOR		1	1	1	1	1	1		
13	R01 H97 202	THERMISTOR	HIC Pipe	1	1	1	1	1	1		TH2
14	R01 E24 413	CHARGE PLUG /LB90		1	1	1	1	1	1		
15	R01 H99 202	THERMISTOR W	Suction Pipe, Ambient	1	1	1	1	1	1	Combined Port	TH6, TH7
16	R01 E05 091	THERMISTOR HOLDER		1	1	1	1	1	1		
17	T7W E89 242	SOLENOID COIL (21S4)		1	1	1	1	1	1	Includes BOLT (M5)	For 21S4
18	R01 E39 403	4WAY VALVE		1	1	1	1	1	1		21S4
19	R01 E18 428	SOLENOID VALVE	Bypass Valve (SV1)	1	1	1	1	1	1		SV1
20	T7W H02 242	SOLENOID COIL (SV)		1	1	1	1	1	1	GRAY	For SV1
21	R01 E14 208	H.P. SENSOR		1	1	1	1	1	1		63HS
22	R01 E04 209	LOW PRESSURE SENSOR		1	1	1	1	1	1		63LS
23	R01 R27 401	LEV ASSY-A		1	1	1	1	1	1	Includes LEV COIL	
24	R01 HR1 242	COIL (LEV) /XAP-5P WH	UKV type	1	1	1	1	1	1	WHITE	LEV-A
25	R01 K23 401	LEV		1	1	1	1	1	1		LEV-A
26	R01 E04 418	RESTRICTOR VALVE		1	1	1	1	1	1		
27	R01 R28 401	LEV ASSY HIC		1	1	1	1	1	1	Includes LEV COIL and STOP VALVE	
28	R01 H58 242	COIL (LEV) /XAP-5P RED	FAM type	1	1	1	1	1	1	RED	LEV-B
29	R01 K24 401	LEV		1	1	1	1	1	1		LEV-B
30	R01 H87 202	THERMISTOR	Outdoor Liquid Pipe	1	1	1	1	1	1		TH3
31	R01 R65 408	HEAT EXCHANGER		1	1	1	1	1	1		
32	R01 M00 350	CONTROLLER BOARD		1	1	1	1	1	1		MULTI.B.
33	—	BOARD CASE CONT		1	1	1	1	1	1	(BK25V808G02)	
34	T7W A15 716	T.B. /L.N.E	3P(L,N,⊕)	1	1	1	1	1	1		TB1
35	T7W E57 716	T.B. /B1.B2	2P(B1,B2)	1	1	1	1	1	1		TB1B
36	R01 E27 246	T.B. /M1.M2.S	3P(M1,M2,S)	2	2	2	2	2	2		TB3, TB7
37	R01 E51 259	REACTOR		1	1	1	1	1	1		DCL
38	R01 M02 353	POWER BOARD		1	1	1	1	1	1		P.B.
39	R01 A10 371	HEAT SINK		1	1	1	1	1	1	Includes SCREWS	
40	—	ELECTRICAL PARTS BOX		1	1	1	1	1	1	(BK00L626G20)	
41	R01 E06 311	M-NET POWER BOARD		1	1	1	1	1	1		M-NET P.B.
42	—	BOARD CASE M-NET PB		1	1	1	1	1	1	(BK25V813G04)	
43	R01 E20 239	FUSE 20A 250V	20A 250V	2	2	2	2	2	2		FUSE1, FUSE2
44	R01 30L 241	FUSE HOLDER		2	2	2	2	2	2		
45	R01 A57 602	COMP FELT(TOP)		1	1	1	1	1	1		
46	T7W A08 602	COMP FELT(BODY)		1	1	1	1	1	1		
47	R01 E45 510	LEAD ASSY COMP		1	1	1	1	1	1		
48	R01 E14 239	FUSE 6.3A 250V	6.3A 250V	2	2	2	2	2	2		F1, F2

FUNCTIONAL PARTS

PUMY-P112YKM4(R1)
PUMY-P112YKM4(R1)-BS

PUMY-P125YKM4(R1)
PUMY-P125YKM4(R1)-BS

PUMY-P140YKM4(R1)
PUMY-P140YKM4(R1)-BS



Parts numbers that are circled are not shown in the figure.

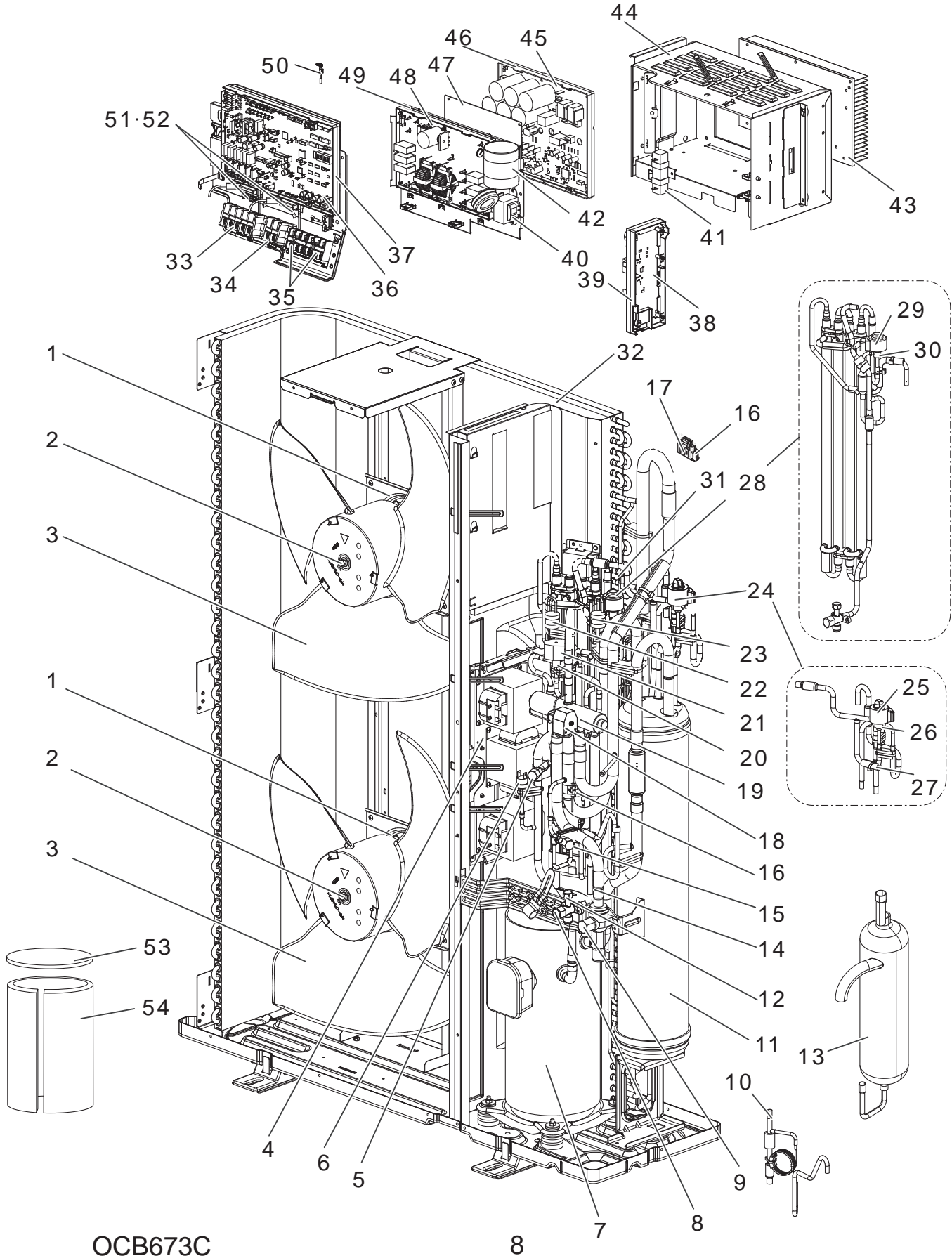
No.	Parts No.	Parts Name	Specification	Q'ty/unit						Remarks (Drawing No.)	Wiring Diagram Symbol
				PUMY-							
				P112YKM4(R1)	P112YKM4(R1)-BS	P125YKM4(R1)	P125YKM4(R1)-BS	P140YKM4(R1)	P140YKM4(R1)-BS		
1	R01 E83 221	FAN MOTOR		2	2	2	2	2	2		MF1, MF2
2	R01 E16 097	CAP NUT (MEC) M6		2	2	2	2	2	2		
3	R01 E16 115	PROPELLER FAN /D550		2	2	2	2	2	2		
4	R01 E50 259	REACTOR		1	1	1	1	1	1		DCL
5	R01 E29 413	CHARGE PLUG /LB54		1	1	1	1	1	1		
6	R01 H06 208	HIGH PRESSURE SWITCH		1	1	1	1	1	1		63H
7	T97 476 077	COMPRESSOR	ANB33FNGMT	1	1	1	1	1	1	Includes RUBBERMOUNT	MC
8	R01 E25 410	STOP VALVE 3/8F	3/8	1	1	1	1	1	1		
9	R01 E16 411	BALL VALVE 5/8F	5/8	1	1	1	1	1	1	Includes STRAINER	
10	R01 E02 426	CT ASSY		1	1	1	1	1	1		
11	R01 E81 440	ACCUMULATOR		1	1	1	1	1	1		
12	R01 E36 201	THERMISTOR (SHELL)	Compressor	1	1	1	1	1	1		TH4
13	R01 E16 490	OIL SEPARATOR		1	1	1	1	1	1		
14	R01 H97 202	THERMISTOR	HIC Pipe	1	1	1	1	1	1		TH2
15	R01 E24 413	CHARGE PLUG /LB90		1	1	1	1	1	1		
16	R01 H98 202	THERMISTOR W	Suction Pipe, Ambient	1	1	1	1	1	1	Combined Port	TH6, TH7
17	R01 E05 091	THERMISTOR HOLDER		1	1	1	1	1	1		
18	T7W H68 242	SOLENOID COIL (21S4)		1	1	1	1	1	1	Includes BOLT (M5)	for 21S4
19	R01 E39 403	4WAY VALVE		1	1	1	1	1	1		21S4
20	R01 E18 428	SOLENOID VALVE	Bypass Valve(SV1)	1	1	1	1	1	1		SV1
21	T7W H02 242	SOLENOID COIL (SV)		1	1	1	1	1	1	GRAY	for SV1
22	R01 E14 208	H.P. SENSOR		1	1	1	1	1	1		63HS
23	R01 E04 209	LOW PRESSURE SENSOR		1	1	1	1	1	1		63LS
24	R01 R27 401	LEV ASSY-A		1	1	1	1	1	1	Includes LEV COIL	
25	R01 HR1 242	COIL (LEV) /XAP-5P WH	UKV type	1	1	1	1	1	1	WHITE	LEV-A
26	R01 K23 401	LEV		1	1	1	1	1	1		LEV-A
27	R01 E04 418	RESTRICTOR VALVE		1	1	1	1	1	1		
28	R01 R28 401	LEV ASSY HIC		1	1	1	1	1	1	Includes LEV COIL and STOP VALVE	
29	R01 H58 242	COIL (LEV) /XAP-5P RED	FAM type	1	1	1	1	1	1	RED	LEV-B
30	R01 K24 401	LEV		1	1	1	1	1	1		LEV-B
31	R01 H87 202	THERMISTOR	Outdoor Liquid Pipe	1	1	1	1	1	1		TH3
32	R01 R65 408	HEAT EXCHANGER		1	1	1	1	1	1		
33	T7W E30 716	T.B. /L1.L2.L3.N.E	5P(L1,L2,L3,N,⊙)	1	1	1	1	1	1		TB1
34	T7W E57 716	T.B. /B1.B2	2P(B1,B2)	1	1	1	1	1	1		TB1B
35	R01 E27 246	T.B. /M1.M2.S	3P(M1,M2,S)	2	2	2	2	2	2		TB3, TB7
36	R01 M00 350	CONTROLLER BOARD		1	1	1	1	1	1		MULTI.B.
37	—	BOARD CASE CONT		1	1	1	1	1	1	(BK25V808G02)	
38	R01 E06 311	M-NET POWER BOARD		1	1	1	1	1	1		M-NET P.B.
39	—	BOARD CASE M-NET PB		1	1	1	1	1	1	(BK25V813G04)	
40	R01 E31 259	REACTOR		1	1	1	1	1	1		ACL4
41	R01 E10 233	RESISTOR		1	1	1	1	1	1		RS
42	R01 A11 371	HEAT SINK		1	1	1	1	1	1	Includes SCREWS	
43	—	ELECTRICAL PARTS BOX		1	1	1	1	1	1	(BK00C410G36)	
44	T7W BB0 323	POWER BOARD		1	1	1	1	1	1		P.B.
45	—	BOARD CASE POWER		1	1	1	1	1	1	(BK25J690G02)	
46	T7W E36 346	NOISE FILTER		1	1	1	1	1	1		N.F.
47	—	BOARD CASE NF		1	1	1	1	1	1	(RK25B240G02)	
48	R01 M16 202	THERMISTOR (HS)	Heat sink	1	1	1	1	1	1		TH8
49	R01 E20 239	FUSE 20A 250V	20A 250V	2	2	2	2	2	2		FUSE1, FUSE2
50	R01 30L 241	FUSE HOLDER		2	2	2	2	2	2		
51	R01 A57 602	COMP FELT(TOP)		1	1	1	1	1	1		
52	T7W A08 602	COMP FELT(BODY)		1	1	1	1	1	1		
⑤③	R01 H31 510	LEAD ASSY COMP		1	1	1	1	1	1		
⑤④	R01 E14 239	FUSE 6.3A 250V	6.3A 250V	2	2	2	2	2	2		F1, F2

FUNCTIONAL PARTS

PUMY-P112YKME4(R1)
PUMY-P112YKME4(R1)-BS

PUMY-P125YKME4(R1)
PUMY-P125YKME4(R1)-BS

PUMY-P140YKME4(R1)
PUMY-P140YKME4(R1)-BS



Parts numbers that are circled are not shown in the figure.

No.	Parts No.	Parts Name	Specification	Q'ty/unit						Remarks (Drawing No.)	Wiring Diagram Symbol
				PUMY-							
				P112YKME4(R1)	P112YKME4(R1)-BS	P125YKME4(R1)	P125YKME4(R1)-BS	P140YKME4(R1)	P140YKME4(R1)-BS		
1	R01 E83 221	FAN MOTOR		2	2	2	2	2	2		MF1, MF2
2	R01 E16 097	CAP NUT (MEC) M6		2	2	2	2	2	2		
3	R01 E16 115	PROPELLER FAN /D550		2	2	2	2	2	2		
4	T7W E12 259	REACTOR		3	3	3	3	3	3		ACL1, ACL2, ACL3
5	R01 E29 413	CHARGE PLUG /LB54		1	1	1	1	1	1		
6	R01 H06 208	HIGH PRESSURE SWITCH		1	1	1	1	1	1		63H
7	T97 476 077	COMPRESSOR	ANB33FNGMT	1	1	1	1	1	1	Includes RUBBERMOUNT	MC
8	R01 E25 410	STOP VALVE 3/8F	3/8	1	1	1	1	1	1		
9	R01 E16 411	BALL VALVE 5/8F	5/8	1	1	1	1	1	1	Includes STRAINER	
10	R01 E02 426	CT ASSY		1	1	1	1	1	1		
11	R01 E81 440	ACCUMULATOR		1	1	1	1	1	1		
12	R01 E36 201	THERMISTOR (SHELL)	Compressor	1	1	1	1	1	1		TH4
13	R01 E16 490	OIL SEPARATOR		1	1	1	1	1	1		
14	R01 H97 202	THERMISTOR	HIC Pipe	1	1	1	1	1	1		TH2
15	R01 E24 413	CHARGE PLUG /LB90		1	1	1	1	1	1		
16	R01 H98 202	THERMISTOR W	Suction Pipe, Ambient	1	1	1	1	1	1	Combined Port	TH6, TH7
17	R01 E05 091	THERMISTOR HOLDER		1	1	1	1	1	1		
18	T7W H68 242	SOLENOID COIL (21S4)		1	1	1	1	1	1	Includes BOLT (M5)	For 21S4
19	R01 E39 403	4WAY VALVE		1	1	1	1	1	1		21S4
20	R01 E18 428	SOLENOID VALVE	Bypass Valve(SV1)	1	1	1	1	1	1		SV1
21	T7W H02 242	SOLENOID COIL (SV)		1	1	1	1	1	1	GRAY	For SV1
22	R01 E14 208	H.P. SENSOR		1	1	1	1	1	1		63HS
23	R01 E04 209	LOW PRESSURE SENSOR		1	1	1	1	1	1		63LS
24	R01 R27 401	LEV ASSY-A		1	1	1	1	1	1	Includes LEV COIL	
25	R01 HR1 242	COIL (LEV) /XAP-5P WH	UKV type	1	1	1	1	1	1	WHITE	LEV-A
26	R01 K23 401	LEV		1	1	1	1	1	1		LEV-A
27	R01 E04 418	RESTRICTOR VALVE		1	1	1	1	1	1		
28	R01 R28 401	LEV ASSY HIC		1	1	1	1	1	1	Includes LEV COIL and STOP VALVE	
29	R01 H58 242	COIL (LEV) /XAP-5P RED	CAM type	1	1	1	1	1	1	RED	LEV-B
30	R01 K24 401	LEV		1	1	1	1	1	1		LEV-B
31	R01 H87 202	THERMISTOR	Outdoor Liquid Pipe	1	1	1	1	1	1		TH3
32	R01 R65 408	HEAT EXCHANGER		1	1	1	1	1	1		
33	T7W E30 716	T.B. /L1.L2.L3.N.E	5P(L1,L2,L3,N,⊕)	1	1	1	1	1	1		TB1
34	T7W E57 716	T.B. /B1.B2	2P(B1,B2)	1	1	1	1	1	1		TB1B
35	R01 E27 246	T.B. /M1.M2.S	3P(M1,M2,S)	2	2	2	2	2	2		TB3, TB7
36	R01 M00 350	CONTROLLER BOARD		1	1	1	1	1	1		MULTI.B.
37	—	BOARD CASE CONT		1	1	1	1	1	1	(BK25V808G02)	
38	R01 E06 311	M-NET POWER BOARD		1	1	1	1	1	1		M-NET P.B.
39	—	BOARD CASE M-NET PB		1	1	1	1	1	1	(BK25V813G04)	
40	R01 E31 259	REACTOR		1	1	1	1	1	1		ACL4
41	R01 E10 233	RESISTOR		1	1	1	1	1	1		RS
42	T7W E10 254	CAPACITOR		1	1	1	1	1	1		CK
43	R01 A11 371	HEAT SINK		1	1	1	1	1	1	Includes SCREWS	
44	—	ELECTRICAL PARTS BOX		1	1	1	1	1	1	(BK00C410G36)	
45	T7W BC0 323	POWER BOARD		1	1	1	1	1	1		P.B.
46	—	BOARD CASE POWER		1	1	1	1	1	1	(BK25J690G02)	
47	T7W F19 310	CONVERTER BOARD		1	1	1	1	1	1		CONV.B.
48	T7W E37 346	NOISE FILTER		1	1	1	1	1	1		N.F.
49	—	BOARD CASE NF		1	1	1	1	1	1	(RK25B240G02)	
50	R01 M16 202	THERMISTOR (HS)	Heat sink	1	1	1	1	1	1		TH8
51	R01 E20 239	FUSE 20A 250V	20A 250V	2	2	2	2	2	2		FUSE1, FUSE2
52	R01 30L 241	FUSE HOLDER		2	2	2	2	2	2		
53	R01 A57 602	COMP FELT(TOP)		1	1	1	1	1	1		
54	T7W A08 602	COMP FELT(BODY)		1	1	1	1	1	1		
55	R01 H31 510	LEAD ASSY COMP		1	1	1	1	1	1		
56	R01 E14 239	FUSE 6.3A 250V	6.3A 250V	2	2	2	2	2	2		F1, F2

2-1. FOR OUTDOOR UNIT

Parts name	Parts No.
DRAIN SOCKET	PAC-SG61DS-E
AIR OUTLET GUIDE*1	PAC-SH96SG-E
AIR GUIDE*1	PAC-SH95AG-E
DRAIN PAN	PAC-SH97DP-E
2 BRANCH PIPE (Joint)	CMY-Y62-G-E
4 BRANCH PIPE (Joint)	CMY-Y64-G-E
8 BRANCH PIPE (Joint)	CMY-Y68-G-E
2-BRANCH PIPE (Joint) (In case of using 2-branch boxes)*2	MSDD-50AR-E (flare)
	MSDD-50BR-E (brazing)
JOINT PIPE (Unit→Extension pipe)	PAC-SG73RJ-E (ø9.52 → ø12.7)
	PAC-SG75RJ-E (ø15.88 → ø19.05)
BASE HEATER	PAC-SJ20BH-E
CONNECTION KIT	PAC-LV11M-J
BRANCH BOX	PAC-MK33BC (Flare)
	PAC-MK53BC (Flare)
	PAC-MK33BCB (Brazing)
	PAC-MK53BCB (Brazing)
INSULATION KIT	PAC-INS01-E
FAN MOTOR (For high outdoor static pressure use)	PAC-SJ71FM-E

*1 Need 2 pieces.

*2 Select a joint according to the connection method.

2-2. FOR BRANCH BOX

Parts name	Parts No.
BRANCH BOX OUTER COVER (for outdoor installation)	PAC-AK350CVR-E
REACTOR BOX	PAC-RB01BC

DIFFERENT-DIAMETER JOINT

Different-diameter joint (optional parts) (Fig.2-1)

Model name	Connected pipes diameter	Diameter A	Diameter B
	mm	mm	mm
PAC-493PI	ø6.35 → ø9.52	ø6.35	ø9.52
MAC-A454JP-E	ø9.52 → ø12.7	ø9.52	ø12.7
PAC-SG76RJ-E	ø9.52 → ø15.88	ø9.52	ø15.88
MAC-A455JP-E	ø12.7 → ø9.52	ø12.7	ø9.52
MAC-A456JP-E	ø12.7 → ø15.88	ø12.7	ø15.88

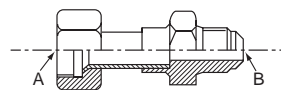


Fig.2-1

Conversion formula

1/4 inch	ø6.35 mm
3/8 inch	ø9.52 mm
1/2 inch	ø12.7 mm
5/8 inch	ø15.88 mm
3/4 inch	ø19.05 mm

Different-diameter joint (optional parts for brazing model) (Fig.2-2)

Model name	Connected pipes diameter	Diameter A	Diameter B
	mm	mm	mm
PAC-SG77RJB-E	ø6.35 → ø9.52	ø6.35	ø9.52
PAC-SG78RJB-E	ø9.52 → ø12.7	ø9.52	ø12.7
PAC-SG76RJB-E	ø9.52 → ø15.88	ø9.52	ø15.88
PAC-SG79RJB-E	ø12.7 → ø9.52	ø12.7	ø9.52
PAC-SG80RJB-E	ø12.7 → ø15.88	ø12.7	ø15.88



Fig.2-2

CITY MULTI

mitsubishi electric corporation

HEAD OFFICE: TOKYO BUILDING, 2-7-3, MARUNOUCHI, CHIYODA-KU, TOKYO 100-8310, JAPAN
