

# SERVICE PARTS LIST FOR MITSUBISHI ELECTRIC PACKAGED AIR-CONDITIONERS

Series : PUHY-P•Y(S)NW-A.TH(-BS)

For use with the R410A

REVISED

Dec. 2019

BWE01711D

## INDEX

PUHY-P200YNW-A.TH  
PUHY-P200YNW-A.TH-BS  
PUHY-P250YNW-A.TH  
PUHY-P250YNW-A.TH-BS  
PUHY-P300YNW-A.TH  
PUHY-P300YNW-A.TH-BS  
PUHY-P350YNW-A.TH  
PUHY-P350YNW-A.TH-BS  
PUHY-P400YNW-A.TH  
PUHY-P400YNW-A.TH-BS  
PUHY-P450YNW-A.TH  
PUHY-P450YNW-A.TH-BS  
PUHY-P500YNW-A.TH  
PUHY-P500YNW-A.TH-BS

Part information update day : 2019/12/13



Please change the old catalog (issued Nov. 2019, No.BWE01711C) to this new catalog.  
Content of revision : Some of parts are changed.

## The Package name list

**PUHY-P400YSNW-A(-BS)** [PUHY-P200YNW-A.TH(-BS)+PUHY-P200YNW-A.TH(-BS)]

**PUHY-P450YSNW-A(-BS)** [PUHY-P200YNW-A.TH(-BS)+PUHY-P250YNW-A.TH(-BS)]

**PUHY-P500YSNW-A(-BS)** [PUHY-P250YNW-A.TH(-BS)+PUHY-P250YNW-A.TH(-BS)]

**PUHY-P550YSNW-A(-BS)** [PUHY-P250YNW-A.TH(-BS)+PUHY-P300YNW-A.TH(-BS)]

**PUHY-P600YSNW-A(-BS)** [PUHY-P300YNW-A.TH(-BS)+PUHY-P300YNW-A.TH(-BS)]

**PUHY-P650YSNW-A(-BS)** [PUHY-P250YNW-A.TH(-BS)+PUHY-P400YNW-A.TH(-BS)]

**PUHY-P700YSNW-A(-BS)** [PUHY-P350YNW-A.TH(-BS)+PUHY-P350YNW-A.TH(-BS)]

**PUHY-P750YSNW-A(-BS)** [PUHY-P350YNW-A.TH(-BS)+PUHY-P400YNW-A.TH(-BS)]

**PUHY-P800YSNW-A(-BS)** [PUHY-P350YNW-A.TH(-BS)+PUHY-P450YNW-A.TH(-BS)]

**PUHY-P850YSNW-A(-BS)** [PUHY-P400YNW-A.TH(-BS)+PUHY-P450YNW-A.TH(-BS)]

**PUHY-P900YSNW-A(-BS)** [PUHY-P450YNW-A.TH(-BS)+PUHY-P450YNW-A.TH(-BS)]

**PUHY-P950YSNW-A(-BS)** [PUHY-P250YNW-A.TH(-BS)+PUHY-P350YNW-A.TH(-BS)+PUHY-P350YNW-A.TH(-BS)]

**PUHY-P1000YSNW-A(-BS)** [PUHY-P250YNW-A.TH(-BS)+PUHY-P350YNW-A.TH(-BS)+PUHY-P400YNW-A.TH(-BS)]

**PUHY-P1050YSNW-A(-BS)** [PUHY-P250YNW-A.TH(-BS)+PUHY-P400YNW-A.TH(-BS)+PUHY-P400YNW-A.TH(-BS)]

**PUHY-P1100YSNW-A(-BS)** [PUHY-P350YNW-A.TH(-BS)+PUHY-P350YNW-A.TH(-BS)+PUHY-P400YNW-A.TH(-BS)]

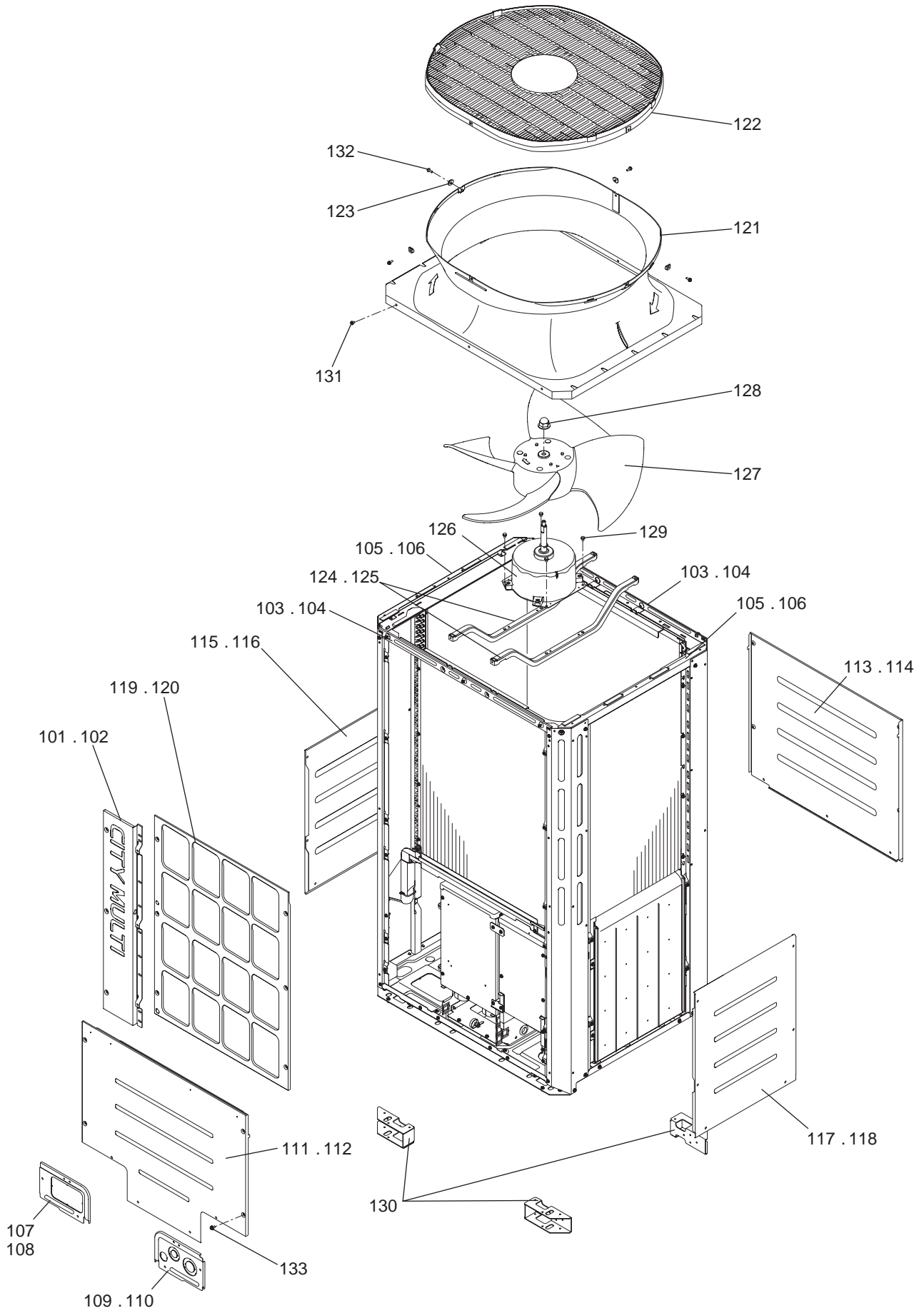
**PUHY-P1150YSNW-A(-BS)** [PUHY-P350YNW-A.TH(-BS)+PUHY-P400YNW-A.TH(-BS)+PUHY-P400YNW-A.TH(-BS)]

**PUHY-P1200YSNW-A(-BS)** [PUHY-P400YNW-A.TH(-BS)+PUHY-P400YNW-A.TH(-BS)+PUHY-P400YNW-A.TH(-BS)]

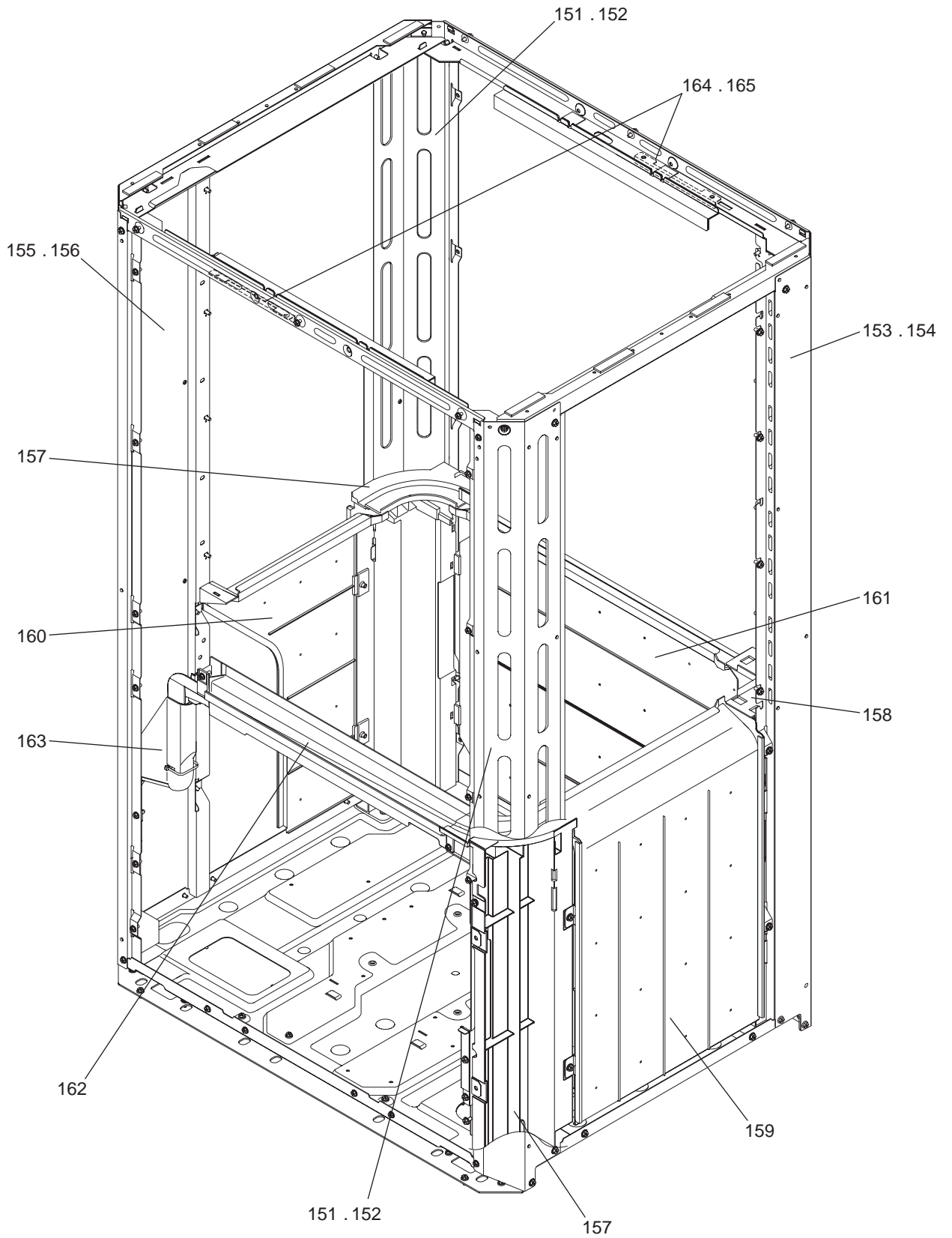
**PUHY-P1250YSNW-A(-BS)** [PUHY-P400YNW-A.TH(-BS)+PUHY-P400YNW-A.TH(-BS)+PUHY-P450YNW-A.TH(-BS)]

**PUHY-P1300YSNW-A(-BS)** [PUHY-P400YNW-A.TH(-BS)+PUHY-P450YNW-A.TH(-BS)+PUHY-P450YNW-A.TH(-BS)]

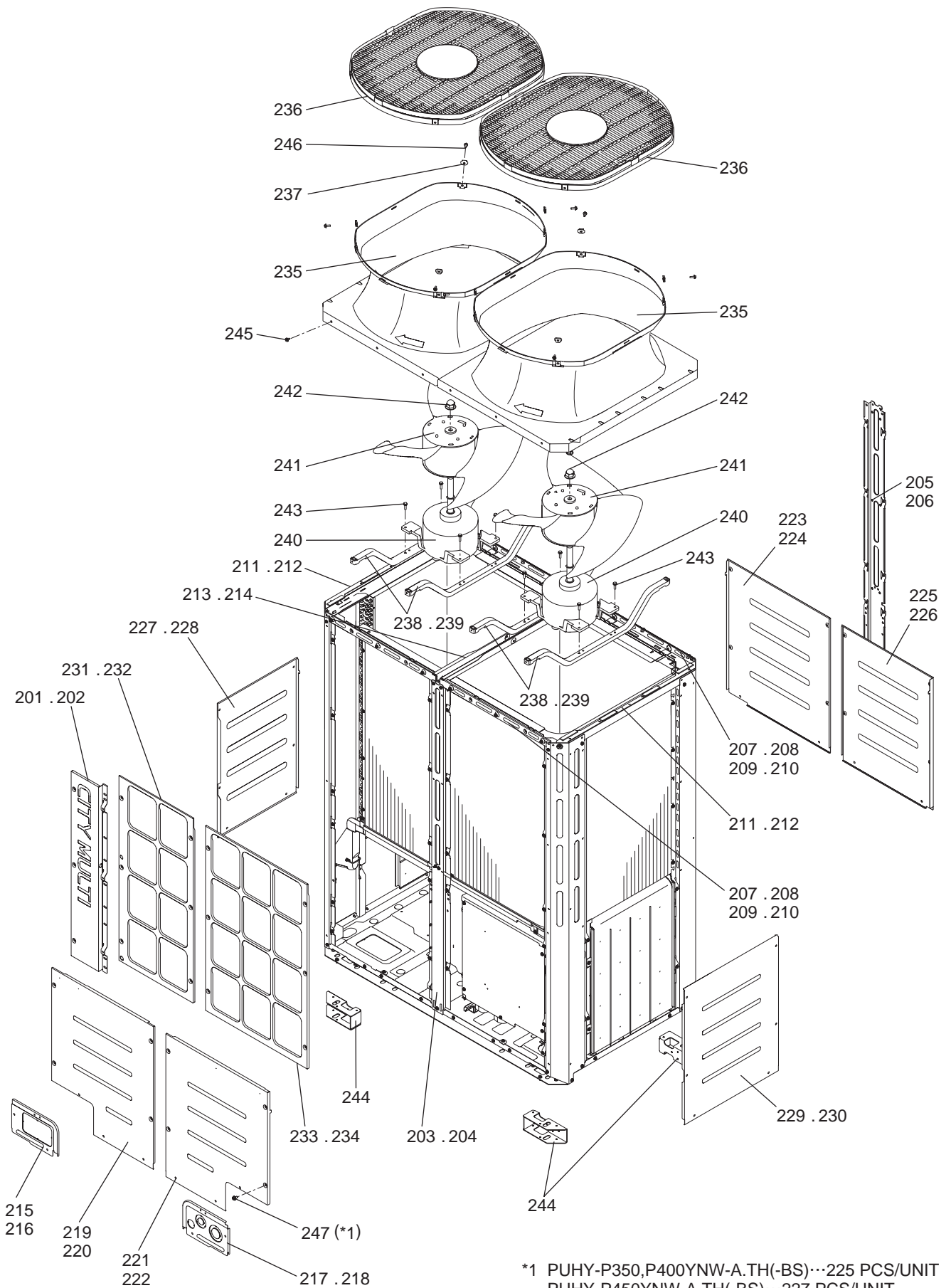
**PUHY-P1350YSNW-A(-BS)** [PUHY-P450YNW-A.TH(-BS)+PUHY-P450YNW-A.TH(-BS)+PUHY-P450YNW-A.TH(-BS)]







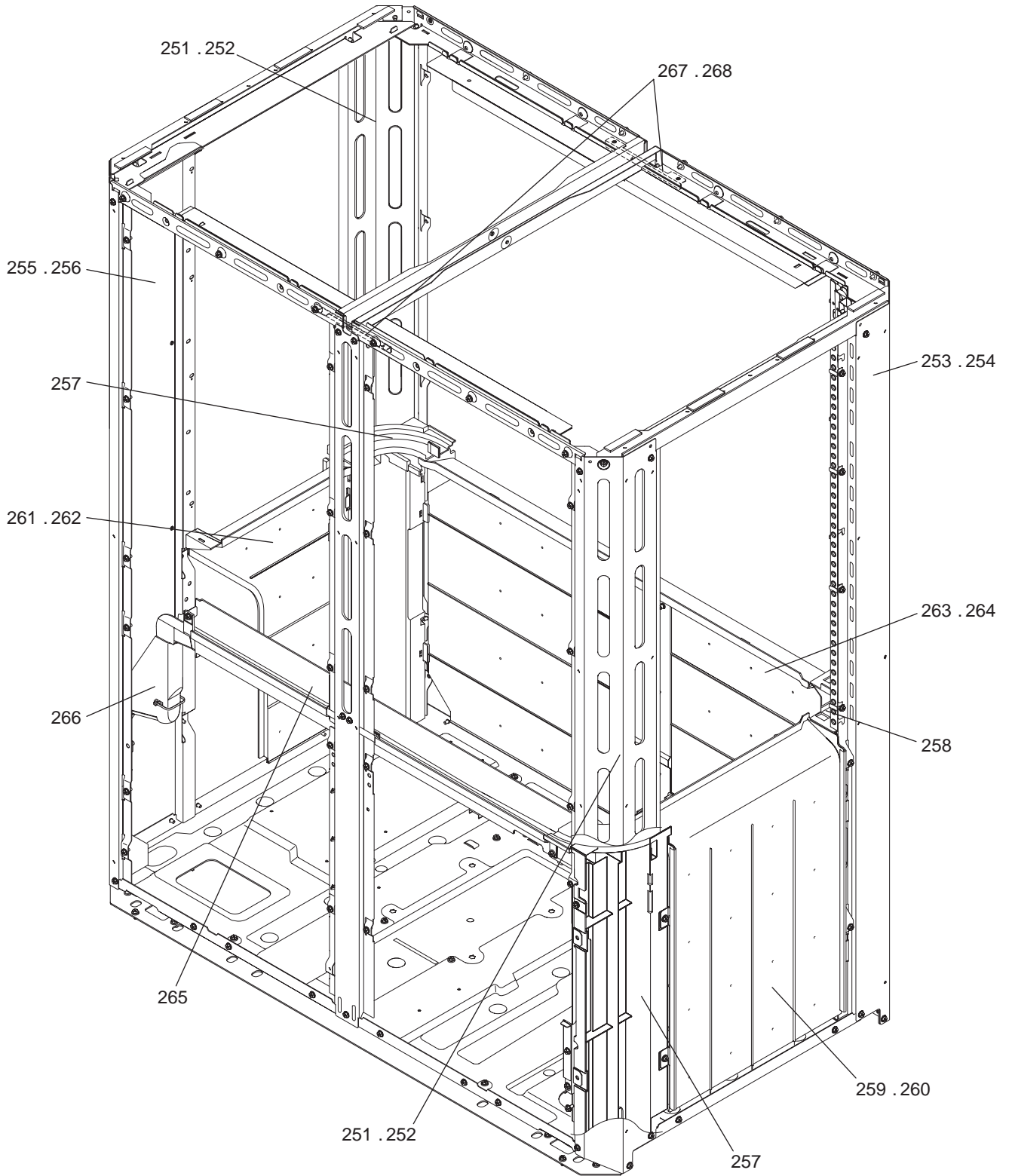




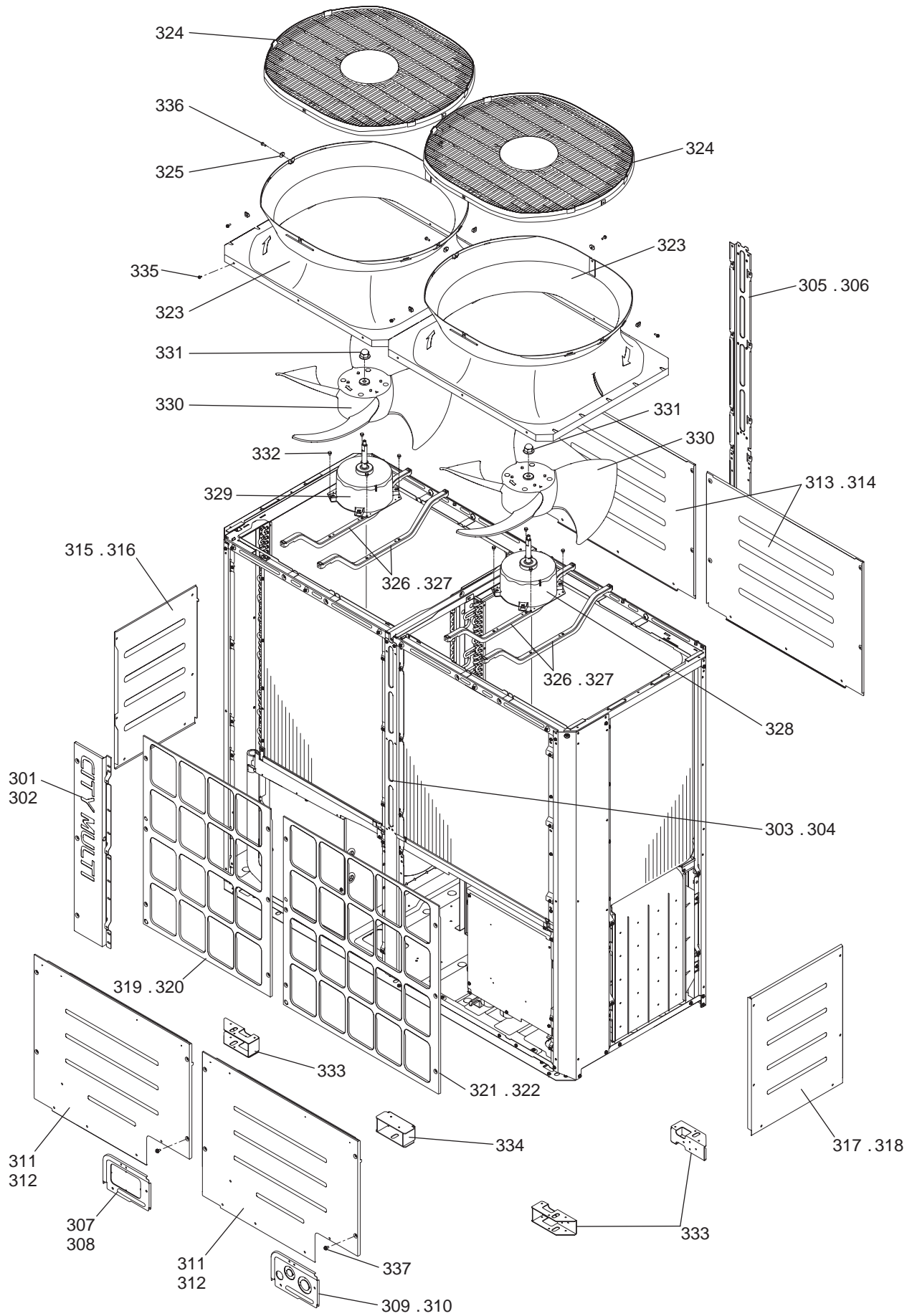
No.	Part No.	Part Name	Spec.	PUHY-P350YNW-A.TH	PUHY-P350YNW-A.TH-BS	PUHY-P400YNW-A.TH	PUHY-P400YNW-A.TH-BS	PUHY-P450YNW-A.TH	PUHY-P450YNW-A.TH-BS	Dwg. No.	Notes for the models	Revision info.
201	E27 J45 812	Pillar LF2		1		1		1		KJ00F066G11		
202	E27 J52 812	Pillar LF2	BS		1		1		1	KJ00F066G12		
203	E27 J47 813	Pillar assy C		1		1		1		KS00L326G09		
204	E27 J54 813	Pillar assy C	BS		1		1		1	KS00L326G10		
205	E27 J48 813	Pillar C		1		1		1		KS00L327G09		
206	E27 J55 813	Pillar C	BS		1		1		1	KS00L327G10		
207	E27 J47 256	Frame assy FB		2		2				KS00L330G21		
208	E27 J54 256	Frame assy FB	BS		2		2			KS00L330G20		
209	E27 J49 256	Frame assy FB 3L						2		KL00C026G19		
210	E27 J56 256	Frame assy FB 3L	BS					2		KL00C026G18		
211	E27 J44 254	Frame assy LR		2		2		2		KS00L332G07		
212	E27 J51 254	Frame assy LR	BS		2		2		2	KS00L332G08		
213	E27 J48 255	Frame assy C		1		1		1		KJ00F067G07		
214	E27 J55 255	Frame assy C	BS		1		1		1	KJ00F067G08		
215	E27 J44 910	Pipe cover		1		1		1		KJ00F069G03		
216	E27 J51 910	Pipe cover	BS		1		1		1	KJ00F069G04		
217	E27 J44 091	Wiring cover		1		1		1		KJ00F070G03		
218	E27 J51 091	Wiring cover	BS		1		1		1	KJ00F070G04		
219	E27 J47 232	Panel FL		1		1		1		KS00L335G03		
220	E27 J54 232	Panel FL	BS		1		1		1	KS00L335G04		
221	E27 J48 232	Panel FR		1		1		1		KS00L336G03		
222	E27 J55 232	Panel FR	BS		1		1		1	KS00L336G04		
223	E27 J61 232	Panel BL		1		1		1		KS00L338G03		
224	E27 J68 232	Panel BL	BS		1		1		1	KS00L338G04		
225	E27 J62 232	Panel BR		1		1		1		KS00L339G03		
226	E27 J69 232	Panel BR	BS		1		1		1	KS00L339G04		
227	E27 J44 086	Panel L		1		1		1		KS00L340G03		
228	E27 J51 086	Panel L	BS		1		1		1	KS00L340G04		
229	E27 J44 085	Panel R		1		1		1		KS00L341G03		
230	E27 J51 085	Panel R	BS		1		1		1	KS00L341G04		
231	E27 J47 523	Fin guard FL		1		1		1		KS00R827G05		
232	E27 J54 523	Fin guard FL	BS		1		1		1	KS00R827G06		
233	E27 J48 523	Fin guard FR		1		1		1		KS00R828G03		
234	E27 J55 523	Fin guard FR	BS		1		1		1	KS00R828G04		
235	E27 J47 509	Bell mouth		2	2	2	2	2	2	KB25Y031G02		
236	E27 J47 521	Fan guard		2	2	2	2	2	2	KB25Y028G02		
237	E27 981 810	Plate fanguard		8	8	8	8	8	8	KD02K443G01		
238	E27 E69 290	Fan stand		4		4		4		KS02L499G05		
239	E27 E73 290	Fan stand	BS		4		4		4	KJ00F134G04		
240	E27 J47 301	Outdoor fan motor	L-MW-750-F4-1	2	2	2	2	2	2	KR61C382H01		
241	E27 J47 501	Propeller fan	550D	2	2	2	2	2	2	KB25Y027G01		
242	E27 622 508	Cap nut	M12	2	2	2	2	2	2	KB12S220H02		
243	E27 982 250	Screw upset	M6 x 22	10	10	10	10	10	10	KB12S261H02	8PCS/UNIT	
244	KJ00F064G01	Attachment leg		4	4	4	4	4	4	KJ00F064G01		
245	E27 633 250	Screw	M5 x 12	20	20	20	20	20	20	KB12S217H01	20PCS/UNIT	



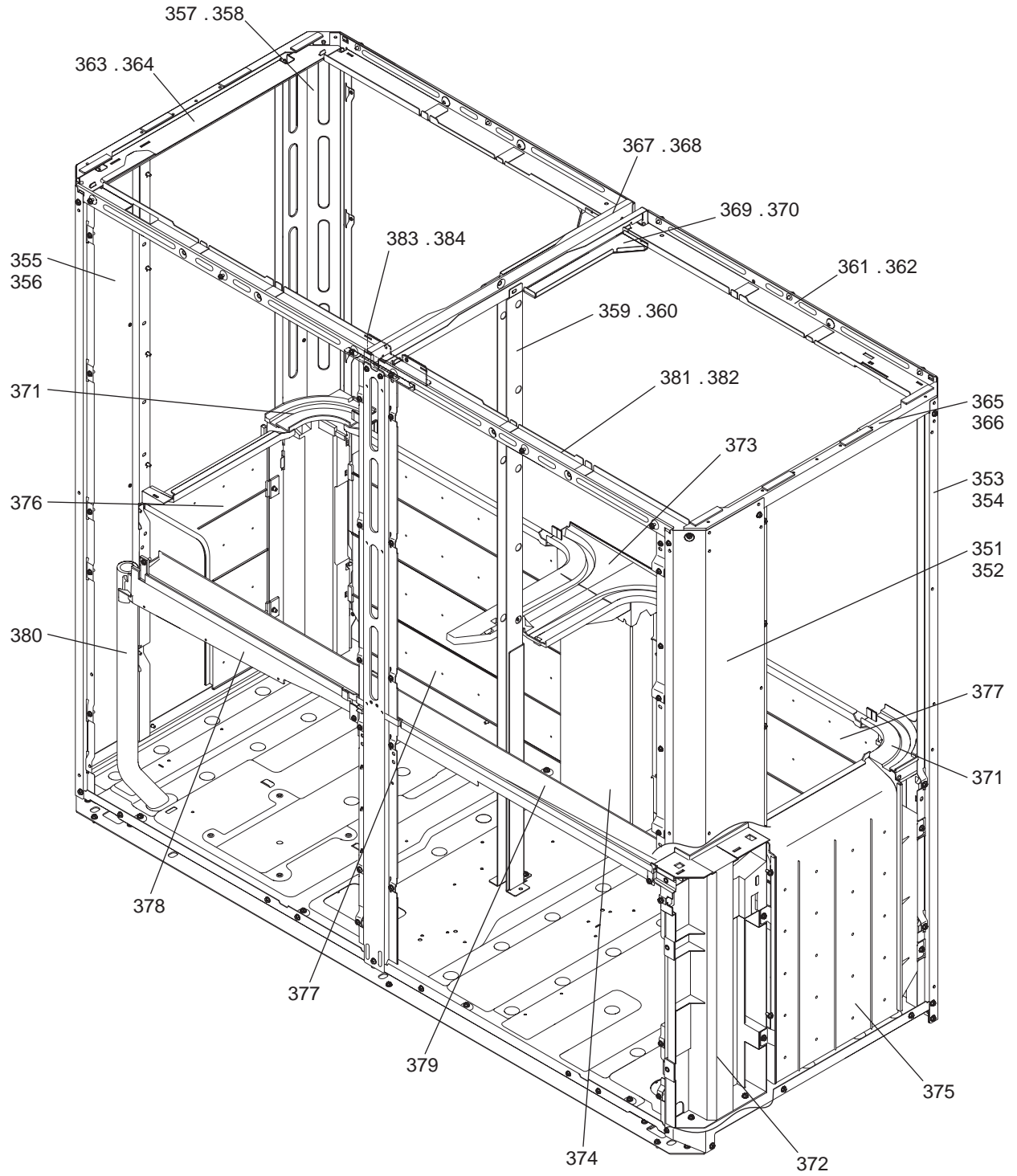




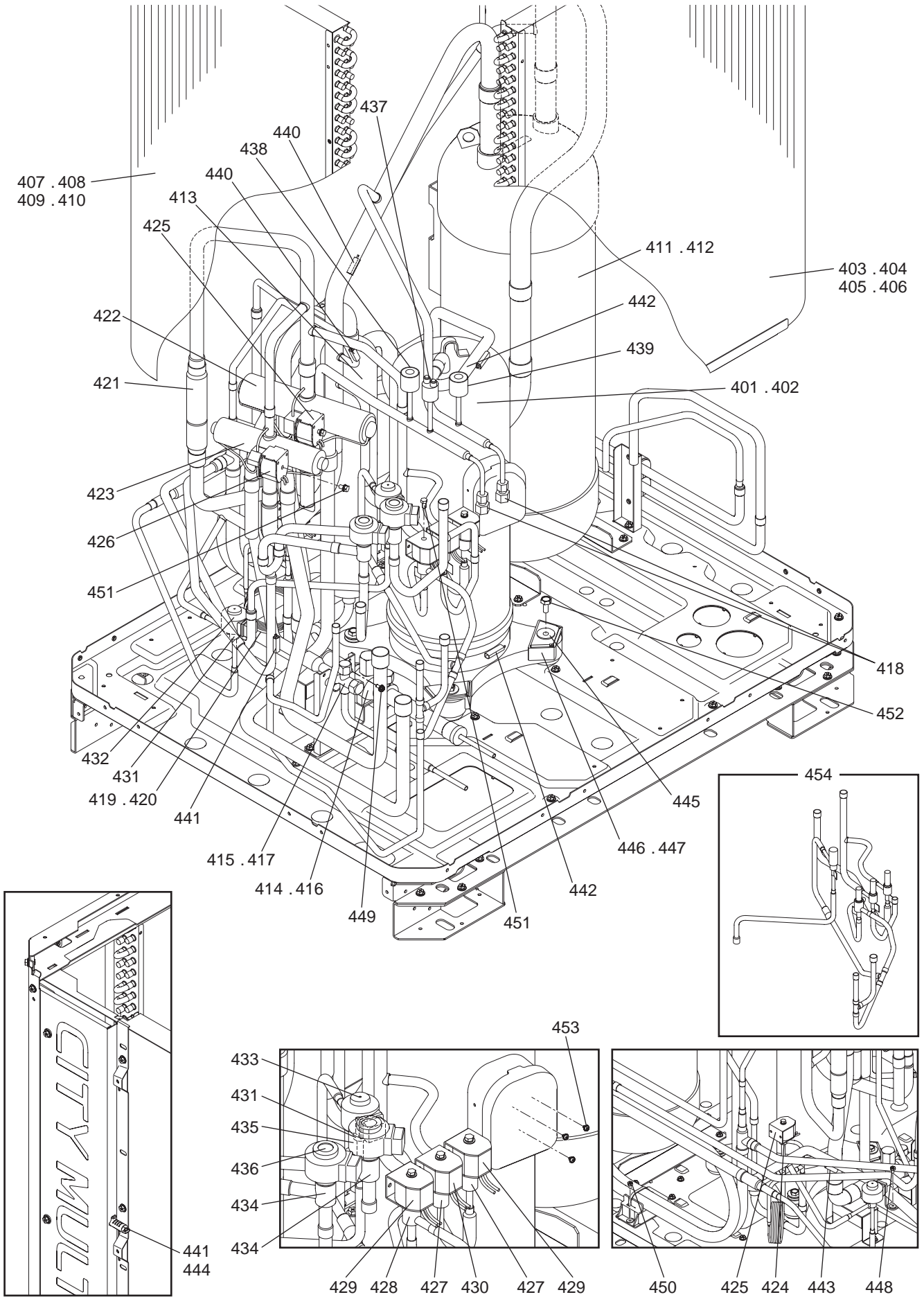








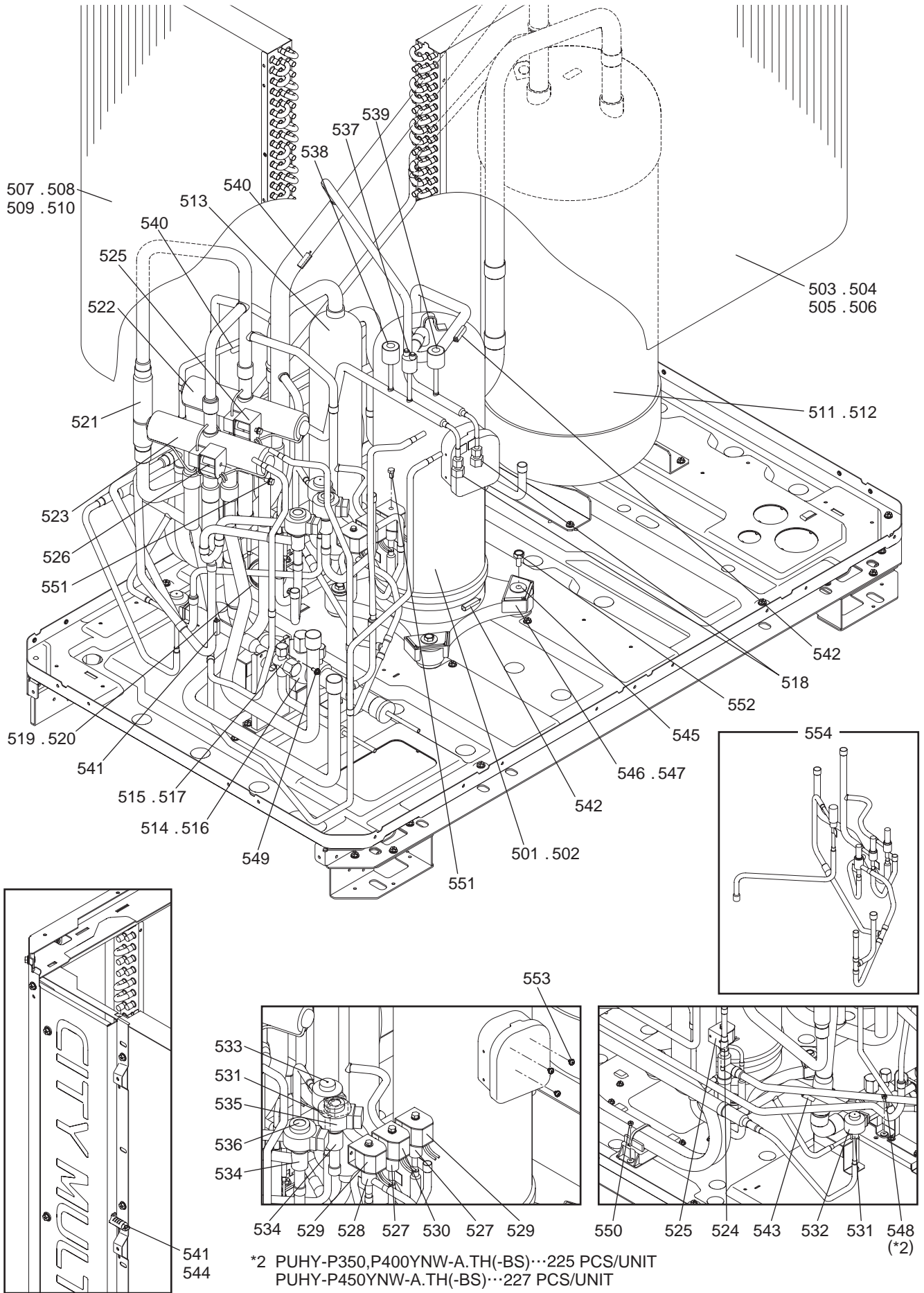






No.	Part No.	Part Name	Spec.	PUHY-P200YNW-A.TH	PUHY-P200YNW-A.TH-BS	PUHY-P250YNW-A.TH	PUHY-P250YNW-A.TH-BS	PUHY-P300YNW-A.TH	PUHY-P300YNW-A.TH-BS	Dwg. No.	Notes for the models	Revision info.
401	E27 J44 900	Compressor SP kit	HNS51FA-YE(with instructions)	1	1	1	1			KJ00H709G37		
402	E27 J46 900	Compressor SP kit	HNS68FA-YE(with instructions)					1	1	KJ00H709G38		
403	E27 J44 630	Outdoor heat exchanger	2L F (with instructions)	1		1				KJ00H709G01		
404	E27 J51 630	Outdoor heat exchanger	2L F BS (with instructions)		1		1			KJ00H709G02		
405	E27 J46 630	Outdoor heat exchanger	2L F (with instructions)					1		KJ00H709G03		
406	E27 J53 630	Outdoor heat exchanger	2L F BS (with instructions)					1		KJ00H709G04		
407	E27 J45 630	Outdoor heat exchanger	2L R (with instructions)	1		1				KJ00H709G05		
408	E27 J52 630	Outdoor heat exchanger	2L R BS (with instructions)		1		1			KJ00H709G06		
409	E27 E79 630	Outdoor heat exchanger	2L R (with instructions)					1		KJ00H709G07		
410	E27 E83 630	Outdoor heat exchanger	2L R BS (with instructions)					1		KJ00H709G08		
411	E27 J44 932	Accumulator	(with instructions)	1		1		1		KJ00H709G23		
412	E27 J51 932	Accumulator	BS (with instructions)		1		1		1	KJ00H709G24		
413	E27 J44 299	Oil separator		1	1	1	1	1	1	KS00G735G02		
414	E27 J44 661	Ball valve	SBV07-005	1	1	1	1	1	1	KR50C373H01	<BV1>	
415	E27 J44 662	Valve	FSV-JA3GME-29	1	1	1	1	1	1	KR50C375H01	<BV2>	
416	E27 624 933	Strainer	25.4D	1	1	1	1	1	1	KD53C139G01	<ST1>	
417	E27 622 933	Strainer	19.05D	1	1	1	1	1	1	KB53S159G01	<ST2>	
418	E27 J44 643	Check joint	R410A	2	2	2	2	2	2	KR50C388H01	<CJ1,CJ2>	
419	E27 622 936	Capillary tube		1	1	1	1			KB49S267G01	<CP1>	
420	E27 A61 936	Capillary tube						1	1	KD49M523G01	<CP1>	
421	E27 J44 642	Check valve 1 SP kit	(with instructions)	1	1	1	1	1	1	KJ00H709G29	<CV1>	
422	E27 J44 961	Four way valve A SP kit	(with instructions)	1	1	1	1	1	1	KJ00H709G30	<21S4a>	
423	E27 J45 961	Four way valve B SP kit	(with instructions)	1	1	1	1	1	1	KJ00H709G31	<21S4b>	
424	E27 981 492	Solenoid valve	FDF2A77	1	1	1	1	1	1	KR50D126H01	<SV1a>	
425	E27 J44 490	Solenoid valve coil		1	1	1	1	1	1	KS00L538G03	<21S4a,SV1a>	
426	E27 J45 490	Solenoid valve coil		1	1	1	1	1	1	KJ00F150G03	<21S4b>	
427	E27 J44 492	Solenoid valve	FDF4A10	2	2	2	2	2	2	KR50C371H01	<SV2,SV10>	
428	E27 J45 492	Solenoid valve	FDF6A58	1	1	1	1	1	1	KR50C440H01	<SV9>	
429	E27 J46 490	Solenoid valve coil		1	1	1	1	1	1	KS00L539G04	<SV2,SV9>	
430	E27 J47 490	Solenoid valve coil		1	1	1	1	1	1	KJ00F151G03	<SV10>	
431	E27 A59 640	Linear expansion valve	CAM-B35YGMD-2	2	2	2	2	2	2	KR50C271H01	<LEV1,LEV9>	
432	E27 J44 493	Solenoid valve coil	CAM-MD12MD-125	1	1	1	1	1	1	KJ00H713G01	<LEV1>	
433	E27 J45 493	Solenoid valve coil	CAM-MD12MD-126	1	1	1	1	1	1	KJ00H717G01	<LEV9>	
434	E27 624 640	Linear expansion valve	PAM-BBOYGMD-1	2	2	2	2	2	2	KR50C215H01	<LEV2a,LEV2b>	
435	E27 J51 493	Solenoid valve coil	PAM-MD12MD-17	1	1	1	1	1	1	KJ00H714G01	<LEV2a>	
436	E27 J52 493	Solenoid valve coil	PAM-MD12MD-18	1	1	1	1	1	1	KJ00H715G01	<LEV2b>	
437	E27 J44 646	Pressure switch		1	1	1	1	1	1	KD00K089G06	<63H1>	
438	E27 J46 646	Pressure sensor	NSK-BH042D-501	1	1	1	1	1	1	KJ00H708G01	<63HS1>	
439	E27 J44 647	Pressure sensor	NSK-BH017D-505	1	1	1	1	1	1	KJ00H708G02	<63LS1>	
440	E27 J44 307	Thermistor	PXM-41E-M105-01Y	1	1	1	1	1	1	KS00L540G02	<TH2,TH5>	
441	E27 J45 307	Thermistor	PXM-41E-M105-01Y	1	1	1	1	1	1	KS00L541G03	<TH3,TH7>	
442	E27 J46 307	Thermistor	PX2M-56D-M2,PXM-41E-M105-01Y	1	1	1	1	1	1	KS00L542G04	<TH4,TH15>	
443	E27 J51 307	Thermistor	PXM-41E-M105-01Y	1	1	1	1	1	1	KJ00F154G02	<TH6>	
444	E27 622 241	Sensor holder		1	1	1	1	1	1	KB25J374G01	<TH7>	
445	E27 622 506	Comp.rubber mount set	4 Rubbers/SET	4	4	4	4	4	4	KB31S115H01		





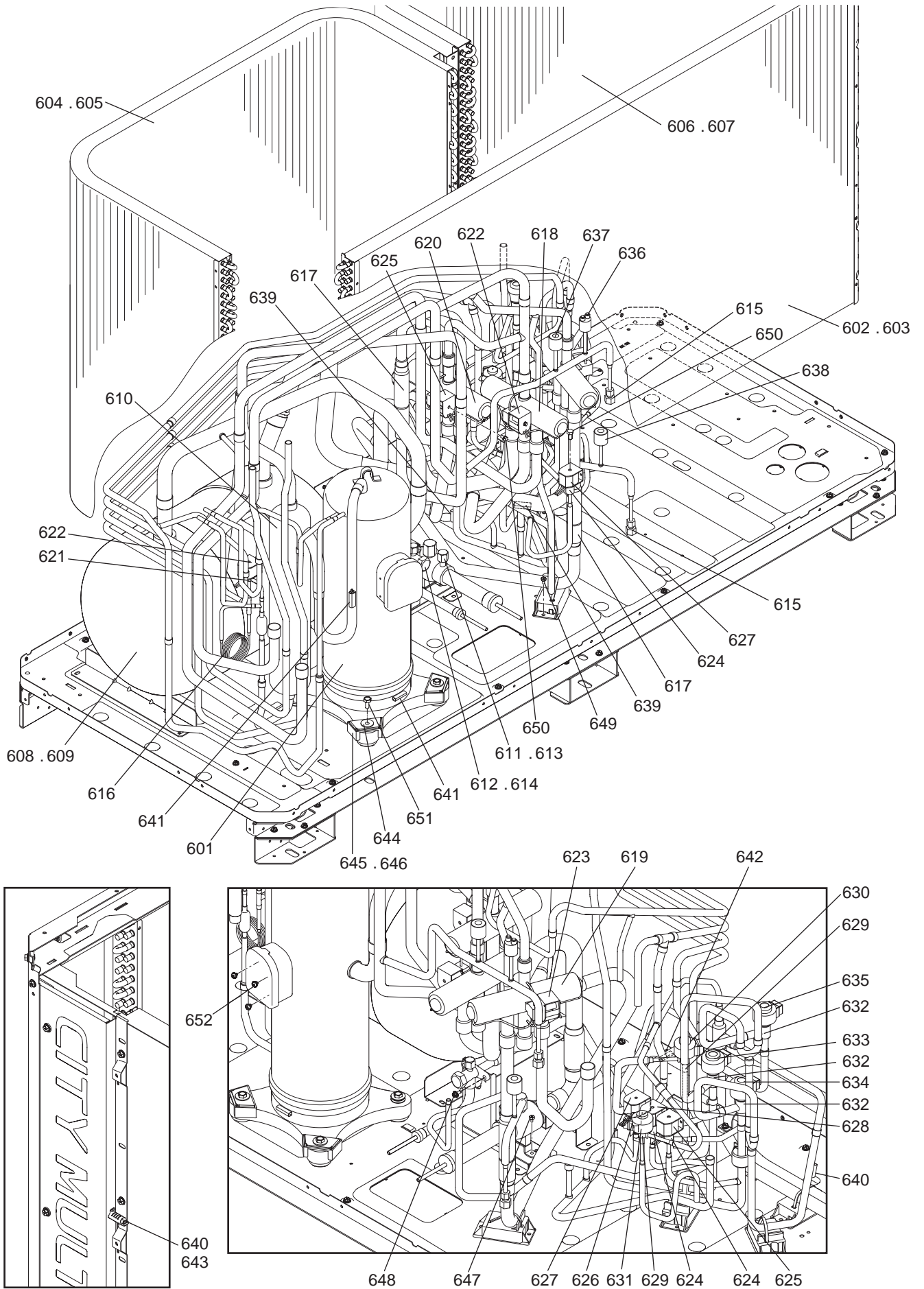
\*2 PUHY-P350,P400YNW-A.TH(-BS)···225 PCS/UNIT  
 PUHY-P450YNW-A.TH(-BS)···227 PCS/UNIT

PUHY-P350,P400,P450YNW-A.TH  
 PUHY-P350,P400,P450YNW-A.TH-BS

FUNCTIONAL PARTS (2)

No.	Part No.	Part Name	Spec.	PUHY-P350YNW-A.TH	PUHY-P350YNW-A.TH-BS	PUHY-P400YNW-A.TH	PUHY-P400YNW-A.TH-BS	PUHY-P450YNW-A.TH	PUHY-P450YNW-A.TH-BS	Dwg. No.	Notes for the models	Revision info.
501	E27 J47 900	Compressor SP kit	HNS68FA-YE(with instructions)	1	1					KJ00H709G39		
502	E27 J48 900	Compressor SP kit	HNB84FE-YE(with instructions)			1	1	1	1	KJ00H709G40		
503	E27 J47 630	Outdoor heat exchanger	2L F (with instructions)	1		1				KJ00H709G09		
504	E27 J54 630	Outdoor heat exchanger	2L F BS (with instructions)		1		1			KJ00H709G10		
505	E27 J49 630	Outdoor heat exchanger	3L F (with instructions)						1	KJ00H709G11		
506	E27 J56 630	Outdoor heat exchanger	3L F BS (with instructions)						1	KJ00H709G12		
507	E27 J48 630	Outdoor heat exchanger	2L R (with instructions)	1		1				KJ00H709G13		
508	E27 J55 630	Outdoor heat exchanger	2L R BS (with instructions)		1		1			KJ00H709G14		
509	E27 E86 630	Outdoor heat exchanger	3L R (with instructions)						1	KJ00H709G15		
510	E27 E89 630	Outdoor heat exchanger	3L R BS (with instructions)						1	KJ00H709G16		
511	E27 J47 932	Accumulator	(with instructions)	1		1		1		KJ00H709G25		
512	E27 J54 932	Accumulator	BS (with instructions)		1		1		1	KJ00H709G26		
513	E27 J44 299	Oil separator		1	1	1	1	1	1	KS00G735G02		
514	E27 J47 661	Ball valve	SBV10-005	1	1	1	1	1	1	KR50C374H01	<BV1>	
515	E27 J47 662	Valve	FSV-JA4GME-6	1	1	1	1	1	1	KR50C376H01	<BV2>	
516	E27 J47 933	Strainer	28.6D	1	1	1	1	1	1	KR48C381H01	<ST1>	
517	E27 622 933	Strainer	19.05D	1	1	1	1	1	1	KB53S159G01	<ST2>	
518	E27 J44 643	Check joint	R410A	2	2	2	2	2	2	KR50C388H01	<CJ1,CJ2>	
519	E27 A61 936	Capillary tube		1	1					KD49M523G01	<CP1>	
520	E27 A63 936	Capillary tube				1	1	1	1	KD49M579G01	<CP1>	
521	E27 J44 642	Check valve 1 SP kit	(with instructions)	1	1	1	1	1	1	KJ00H709G29	<CV1>	
522	E27 J47 961	Four way valve A SP kit	(with instructions)	1	1	1	1	1	1	KJ00H709G32	<21S4a>	
523	E27J48 961	Four way valve B SP kit	(with instructions)	1	1	1	1	1	1	KJ00H709G33	<21S4b>	
524	E27 981 492	Solenoid valve	FDF2A77	1	1	1	1	1	1	KR50D126H01	<SV1a>	
525	E27 J48 490	Solenoid valve coil		1	1	1	1	1	1	KS00L586G03	<21S4a,SV1a>	
526	E27 J49 490	Solenoid valve coil		1	1	1	1	1	1	KJ00F204G03	<21S4b>	
527	E27 J44 492	Solenoid valve	FDF4A10	2	2	2	2	2	2	KR50C371H01	<SV2,SV10>	
528	E27 J45 492	Solenoid valve	FDF6A58	1	1	1	1	1	1	KR50C440H01	<SV9>	
529	E27 J71 490	Solenoid valve coil		1	1	1	1	1	1	KS00L587G04	<SV2,SV9>	
530	E27 J72 490	Solenoid valve coil		1	1	1	1	1	1	KJ00F205G03	<SV10>	
531	E27 A59 640	Linear expansion valve	CAM-B35YGMD-2	2	2	2	2	2	2	KR50C271H01	<LEV1,LEV9>	
532	E27 J44 493	Solenoid valve coil	CAM-MD12MD-125	1	1	1	1	1	1	KJ00H713G01	<LEV1>	
533	E27 J45 493	Solenoid valve coil	CAM-MD12MD-126	1	1	1	1	1	1	KJ00H717G01	<LEV9>	
534	E27 624 640	Linear expansion valve	PAM-BBOYGMD-1	2	2	2	2	2	2	KR50C215H01	<LEV2a,LEV2b>	
535	E27 J51 493	Solenoid valve coil	PAM-MD12MD-17	1	1	1	1	1	1	KJ00H714G01	<LEV2a>	
536	E27 J52 493	Solenoid valve coil	PAM-MD12MD-18	1	1	1	1	1	1	KJ00H715G01	<LEV2b>	
537	E27 J44 646	Pressure switch		1	1	1	1	1	1	KD00K089G06	<63H1>	
538	E27 J46 646	Pressure sensor	NSK-BH042D-501	1	1	1	1	1	1	KJ00H708G01	<63HS1>	
539	E27 J44 647	Pressure sensor	NSK-BH017D-505	1	1	1	1	1	1	KJ00H708G02	<63LS1>	
540	E27 J47 307	Thermistor	PXM-41E-M105-01Y	1	1	1	1	1	1	KS00L588G02	<TH2,TH5>	
541	E27 J48 307	Thermistor	PXM-41E-M105-01Y	1	1	1	1	1	1	KS00L589G03	<TH3,TH7>	
542	E27 J49 307	Thermistor	PX2M-56D-M2,PXM-41E-M105-01Y	1	1	1	1	1	1	KS00L590G04	<TH4,TH15>	
543	E27 J71 307	Thermistor	PXM-41E-M105-01Y	1	1	1	1	1	1	KJ00F208G02	<TH6>	
544	E27 622 241	Sensor holder		1	1	1	1	1	1	KB25J374G01	<TH7>	
545	E27 622 506	Comp.rubber mount set	4 Rubbers/SET	4	4	4	4	4	4	KB31S115H01		

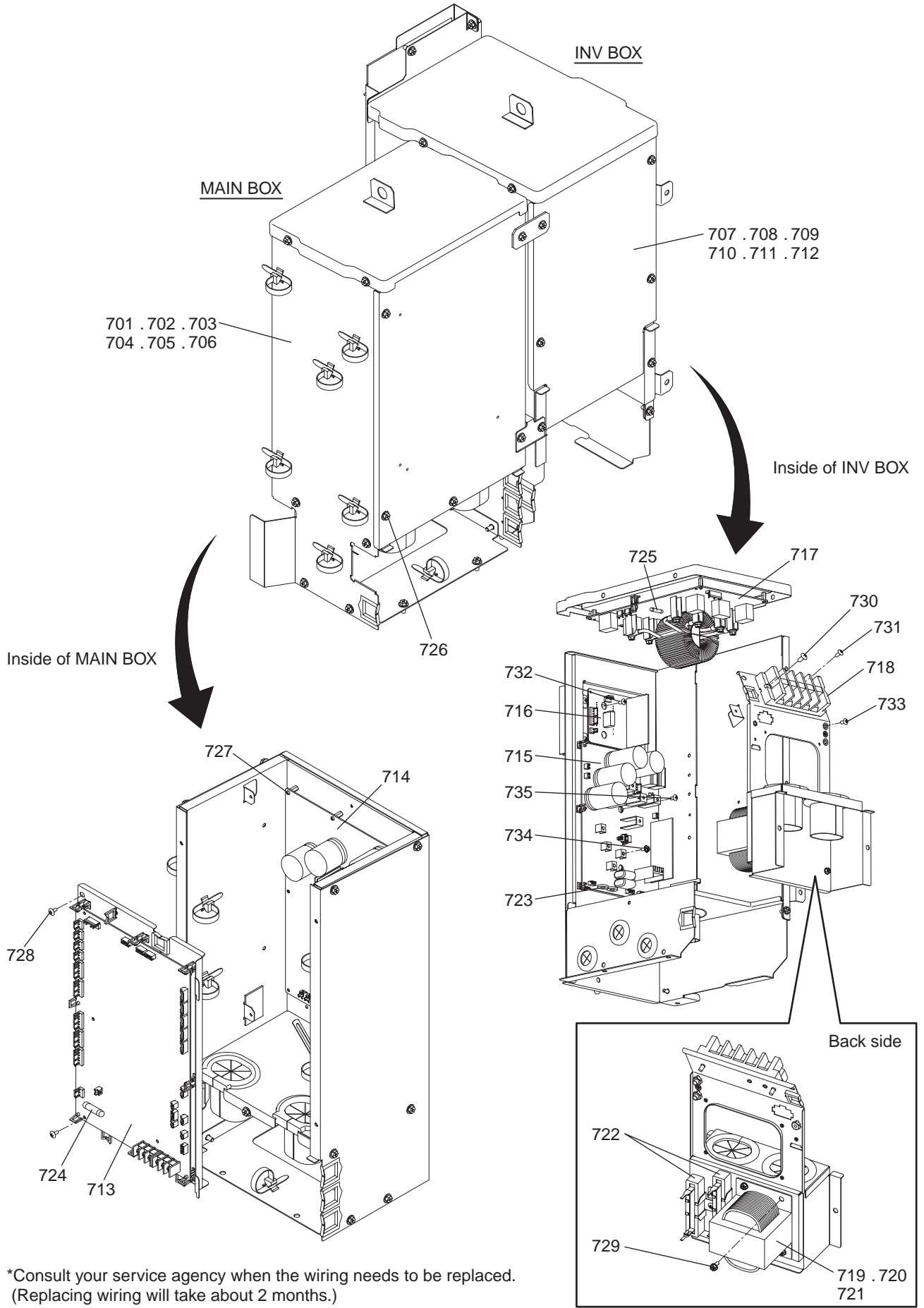




No.	Part No.	Part Name	Spec.	PUHY-P500YNW-A.TH	PUHY-P500YNW-A.TH-BS					Dwg. No.	Notes for the models	Revision info.
601	E27 J50 900	Compressor	HNB97FB-YE	1	1					KEP10148B04		
602	E27 J50 630	Outdoor heat exchanger	2L F (with instructions)	1						KJ00H709G17		
603	E27 J57 630	Outdoor heat exchanger	2L F BS (with instructions)	1						KJ00H709G18		
604	E27 E80 630	Outdoor heat exchanger	2L L (with instructions)	1						KJ00H709G19		
605	E27 E84 630	Outdoor heat exchanger	2L L BS (with instructions)	1						KJ00H709G20		
606	E27 F17 630	Outdoor heat exchanger	2L R (with instructions)	1						KJ00H709G21		
607	E27 F18 630	Outdoor heat exchanger	2L R BS (with instructions)	1						KJ00H709G22		
608	E27 J50 932	Accumulator	(with instructions)	1						KJ00H709G27		
609	E27 J57 932	Accumulator	BS (with instructions)		1					KJ00H709G28		
610	E27 J50 299	Oil separator		1	1					KS00R335G03		
611	E27 J47 661	Ball valve	SBV10-005	1	1					KR50C374H01	<BV1>	
612	E27 J50 662	Valve	FSV-JA5GME-34	1	1					KR50C377H01	<BV2>	
613	E27 J47 933	Strainer	28.6D	1	1					KR48C381H01	<ST1>	
614	E27 622 933	Strainer	19.05D	1	1					KB53S159G01	<ST2>	
615	E27 J50 643	Check joint	R410A	2	2					KR50C379H01	<CJ1,CJ2>	
616	E27 627 936	Capillary tube		1	1					KB49S487G01	<CP1>	
617	E27 J50 642	Check valve	YCV15-77GDJ-1	2	2					KR50D159H01	<CV1,CV2>	
618	E27 J50 961	Four way valve A SP kit	(with instructions)	1	1					KJ00H709G34	<21S4a>	
619	E27 J57 961	Four way valve B SP kit	(with instructions)	1	1					KJ00H709G35	<21S4b>	
620	E27 E80 961	Four way valve C SP kit	(with instructions)	1	1					KJ00H709G36	<21S4c>	
621	E27 981 492	Solenoid valve	FDFA277	1	1					KR50D126H01	<SV1a>	
622	E27 E80 490	Solenoid valve coil		1	1					KS00R686G02	<21S4a,SV1a>	
623	E27 E84 490	Solenoid valve coil		1	1					KJ00F454G02	<21S4b>	
624	E27 J44 492	Solenoid valve	FDFA410	3	3					KR50C371H01	<SV2,SV10,SV11>	
625	E27 J50 490	Solenoid valve coil		1	1					KS00R687G02	<21S4c,SV11>	
626	E27 J45 492	Solenoid valve	FDFA6A58	1	1					KR50C440H01	<SV9>	
627	E27 J57 490	Solenoid valve coil		1	1					KS00R688G03	<SV2,SV9>	
628	E27 J64 490	Solenoid valve coil		1	1					KJ00F455G02	<SV10>	
629	E27 A59 640	Linear expansion valve	CAM-B35YGMD-2	2	2					KR50C271H01	<LEV1,LEV9>	
630	E27 J44 493	Solenoid valve coil	CAM-MD12MD-125	1	1					KJ00H713G01	<LEV1>	
631	E27 J45 493	Solenoid valve coil	CAM-MD12MD-126	1	1					KJ00H717G01	<LEV9>	
632	E27 624 640	Linear expansion valve	PAM-BBOYGMD-1	3	3					KR50C215H01	<LEV2a,LEV2b,LEV2c>	
633	E27 J51 493	Solenoid valve coil	PAM-MD12MD-17	1	1					KJ00H714G01	<LEV2a>	
634	E27 J52 493	Solenoid valve coil	PAM-MD12MD-18	1	1					KJ00H715G01	<LEV2b>	
635	E27 J57 493	Solenoid valve coil	PAM-MD12MD-19	1	1					KJ00H716G01	<LEV2c>	
636	E27 J44 646	Pressure switch		1	1					KD00K089G06	<63H1>	
637	E27 J50 646	Pressure sensor	NSK-BH042D-501	1	1					KJ00H708G03	<63HS1>	
638	E27 J50 647	Pressure sensor	NSK-BH017D-505	1	1					KJ00H708G04	<63LS1>	
639	E27 E80 307	Thermistor	PXM-41E-M105-01Y	1	1					KS00R689G02	<TH2,TH5>	
640	E27 J50 307	Thermistor	PXM-41E-M105-01Y	1	1					KS00R690G03	<TH3,TH7>	
641	E27 J57 307	Thermistor	PXM-56D-M2,PXM-41E-M105-01Y	1	1					KS00R691G03	<TH4,TH15>	
642	E27 J64 307	Thermistor	PXM-41E-M105-01Y	1	1					KJ00F456G02	<TH6>	
643	E27 622 241	Sensor holder		1	1					KB25J374G01	<TH7>	
644	E27 622 506	Comp.rubber mount set	4 Rubbers/SET	4	4					KB31S115H01		
645	KJ00F713G01	Attachment (HH)		2						KJ00F713G01		

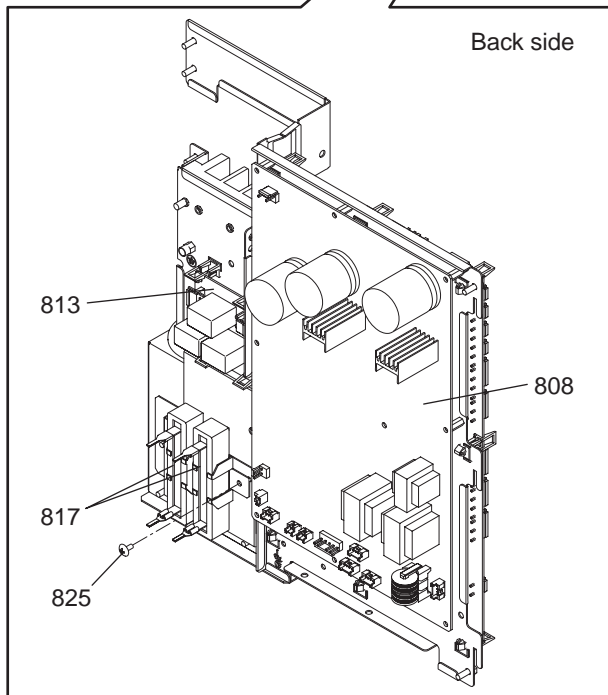
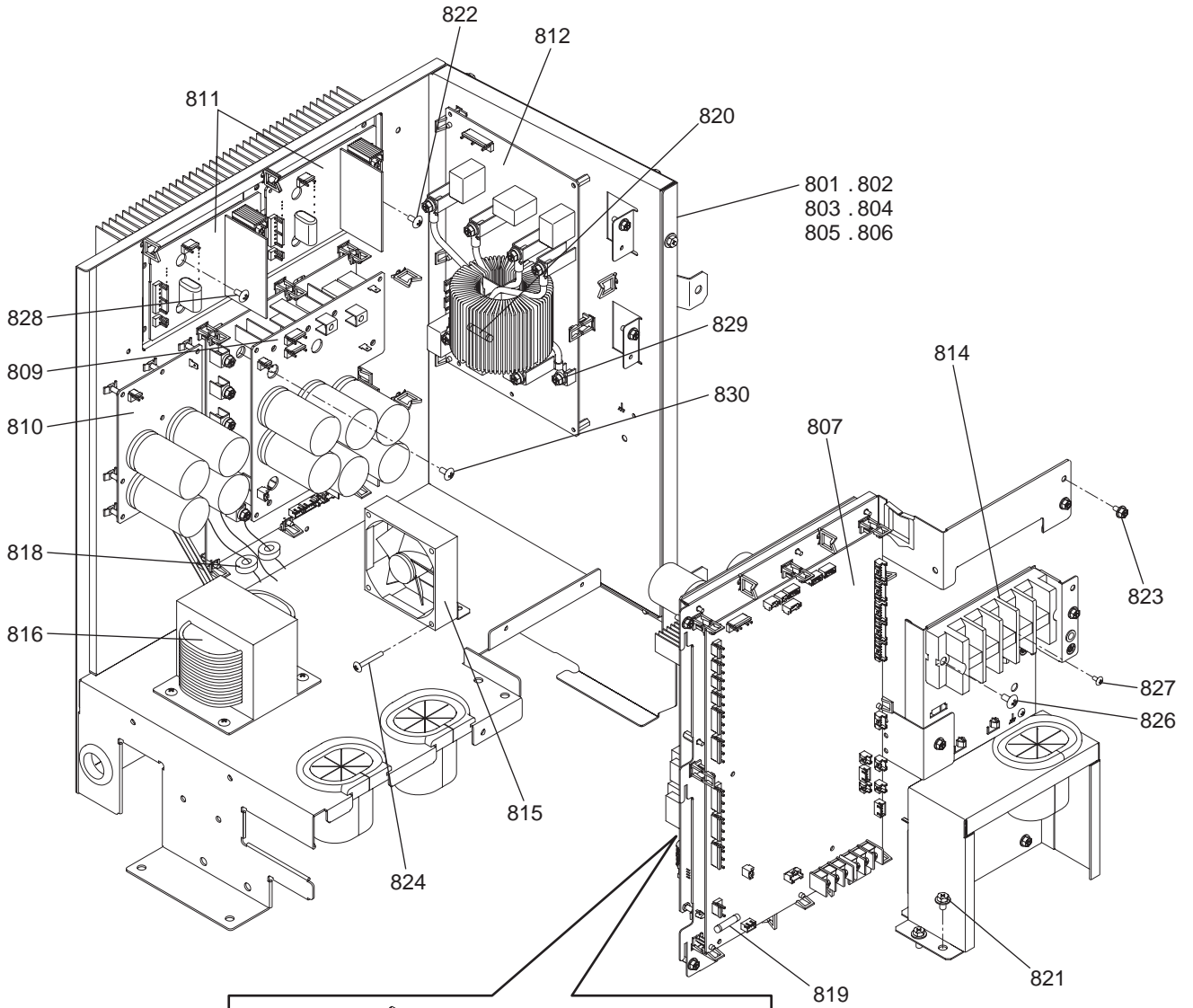






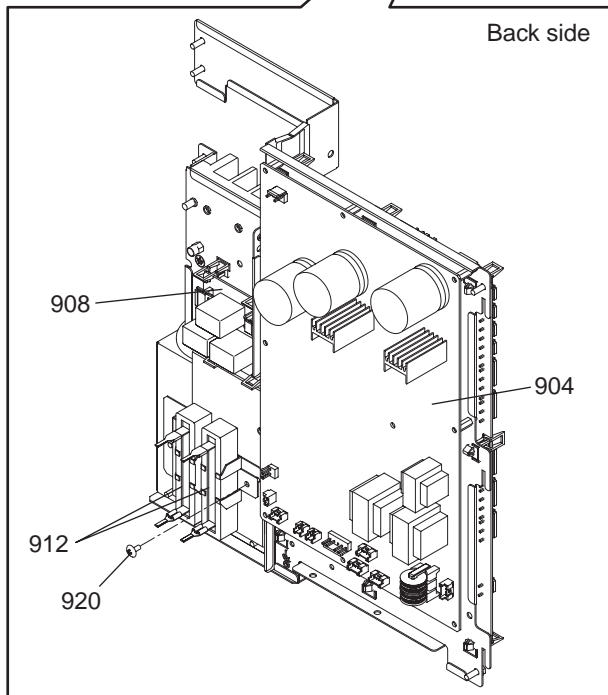
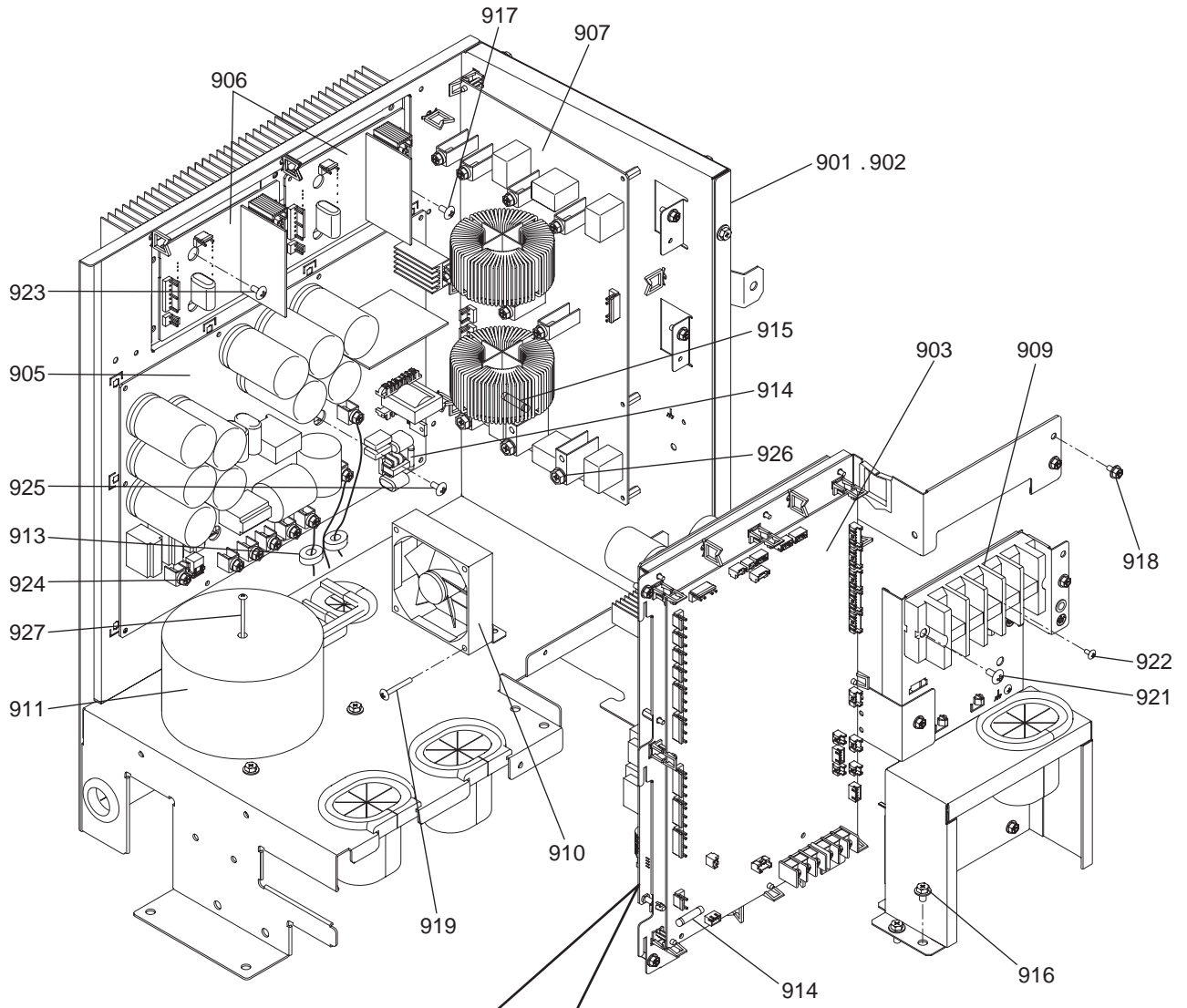
\*Consult your service agency when the wiring needs to be replaced.  
 (Replacing wiring will take about 2 months.)





\*Consult your service agency when the wiring needs to be replaced.  
 (Replacing wiring will take about 2 months.)





\*Consult your service agency when the wiring needs to be replaced.  
 (Replacing wiring will take about 2 months.)



**mitsubishi**  
**MITSUBISHI ELECTRIC CORPORATION**

---

BWE01711D (20191231)