

SERVICE PARTS LIST FOR MITSUBISHI ELECTRIC PACKAGED AIR-CONDITIONERS

**Series : PEFY-P•VMR-E-L
PEFY-P•VMR-E-R**

For use with the R410A

REVISED

Sept. 2013

BWE0611C

INDEX

PEFY-P20VMR-E-L

PEFY-P20VMR-E-R

PEFY-P25VMR-E-L

PEFY-P25VMR-E-R

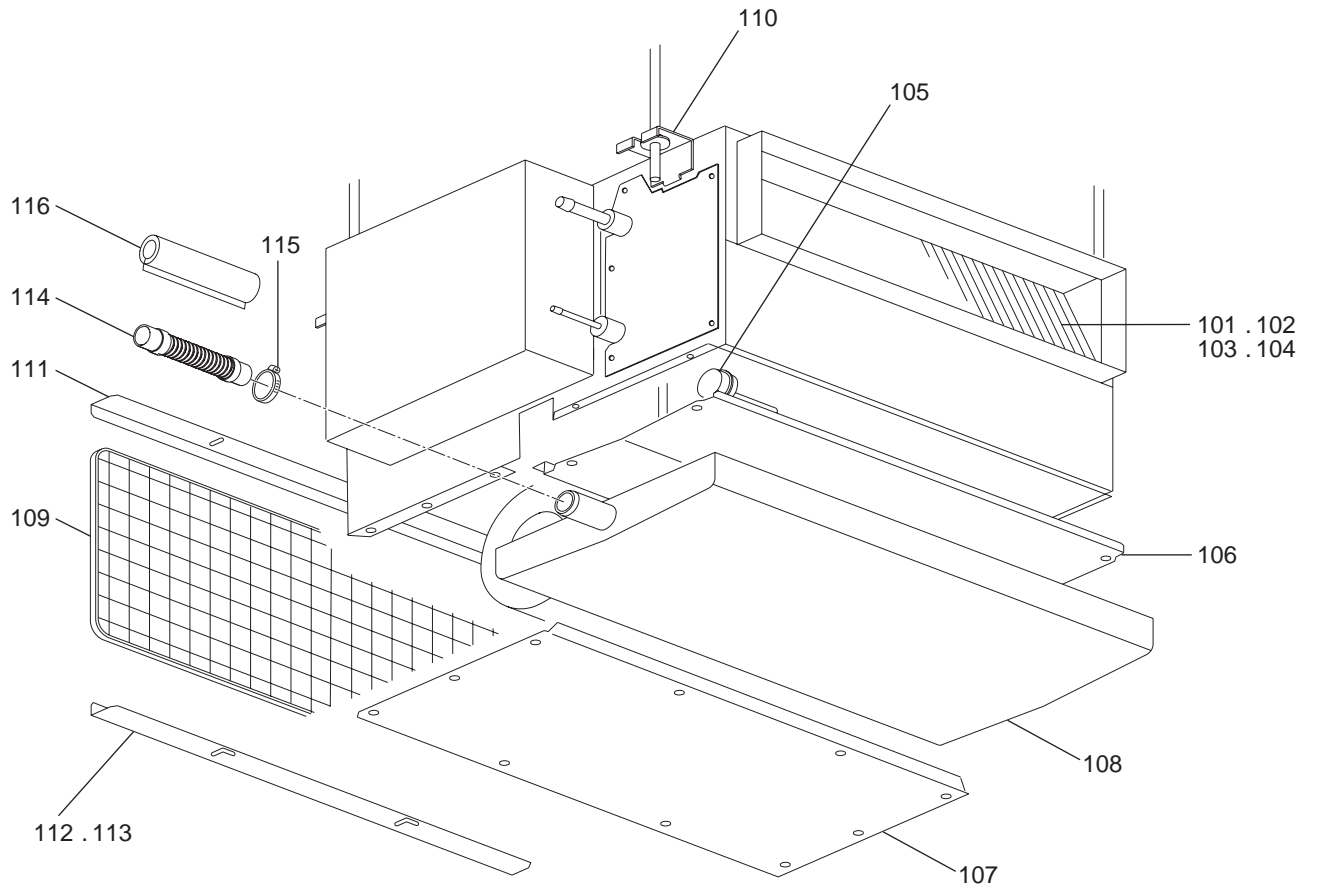
PEFY-P32VMR-E-L

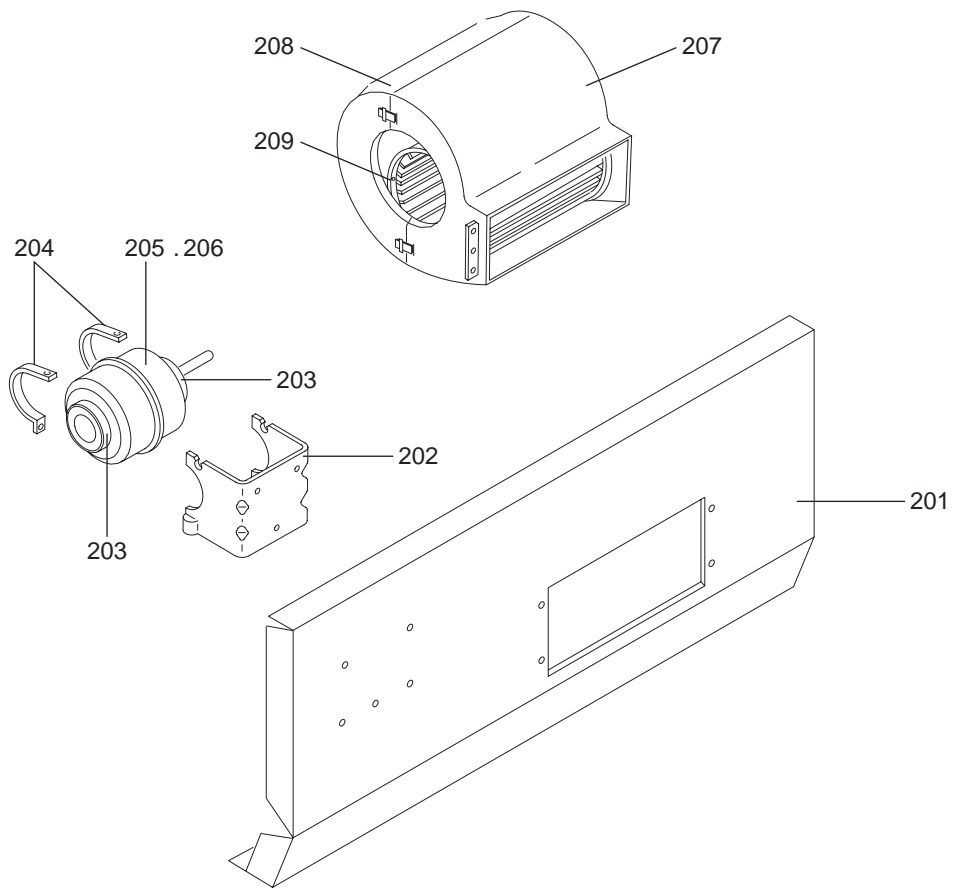
PEFY-P32VMR-E-R

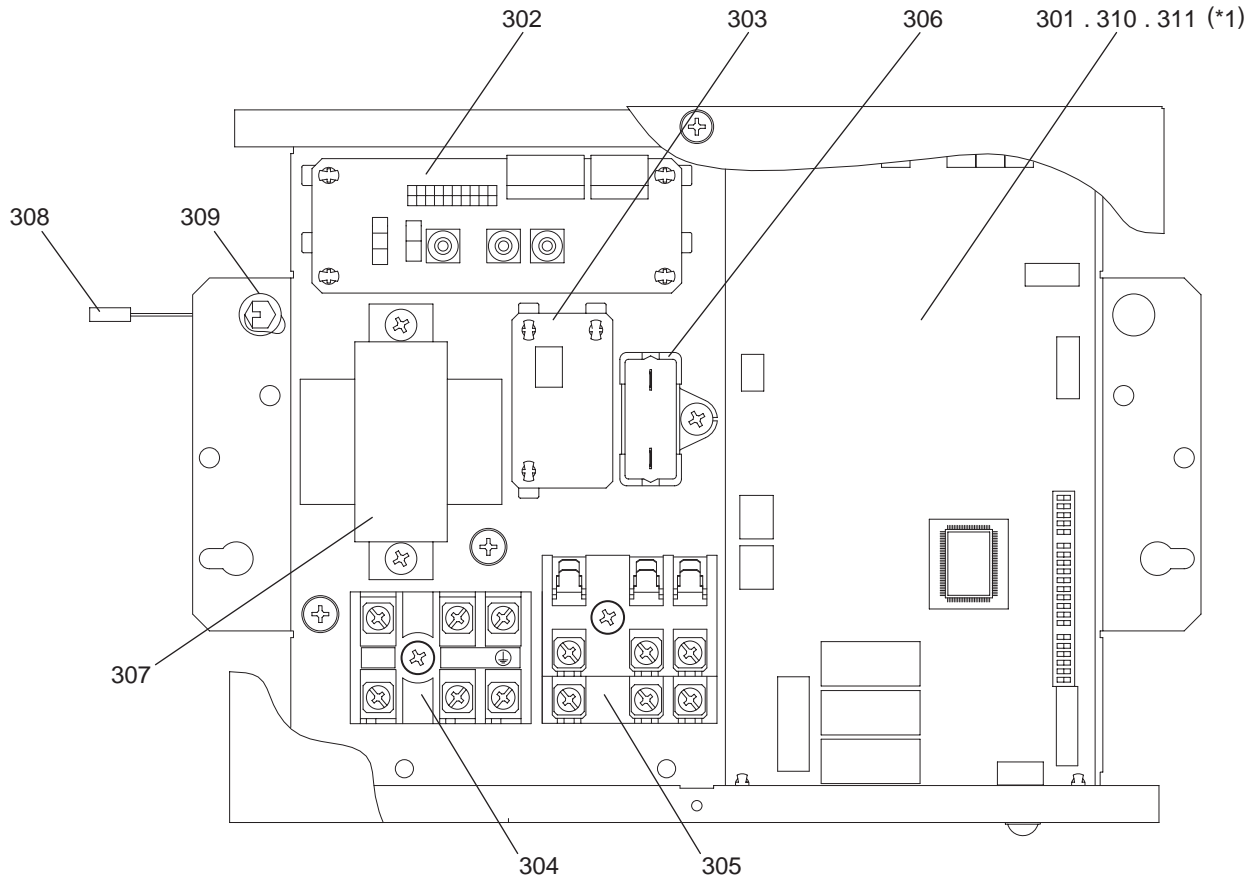
Part information update day : **2013/09/03**

Please change the old catalog (issued Dec. 2012, No.BWE0611B) to this new catalog.
Content of revision : Some of parts are changed.







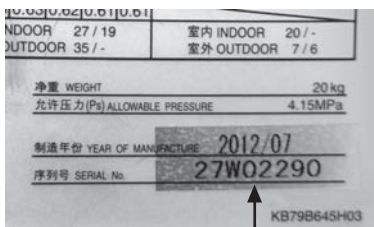


*1 Parts No. 301 cannot be used with the indoor units with a production number of 06W***** or later.
Use parts No. 310 or No. 311 instead.

Both parts No. 301 and No. 310 cannot be used with the indoor units with a production number of 2ZW***** or later.
Use parts No. 311 instead.

Those parts No. 301, No. 310, and No. 311 can be used with the units with a production number of 05W***** or earlier.
If the production number of the indoor unit is not available, procure parts No. 311.

Serial No. of Air Conditioning & Refrigeration Systems Works.



Serial No.

2 7 W 0 2 2 9 0

↑ ↑ ↑ ↑ ↑
Serial number
↑
Air Conditioning & Refrigeration Systems Works
(Wakayama) identification.
W stands for W of WAKAYAMA.
↑
Production month

Production **season** of Air Conditioning & Refrigeration
Systems Works **April to March**
In this case, July / 2012

Production month / season

2 4	April / 2012
2 5	May / 2012
2 6	June / 2012
2 7	July / 2012
2 8	August / 2012
2 9	September / 2012
2 X	October / 2012
2 Y	November / 2012
2 Z	December / 2012
2 1	January / 2013
2 2	February / 2013
2 3	March / 2013
3 4	April / 2013
3 5	May / 2013

mitsubishi electric corporation
HEAD OFFICE: TOKYO BLDG., 2-7-3, MARUNOUCHI, CHIYODA-KU, TOKYO 100-8310, JAPAN

BWE0611C (20130930)