

Photo



Descriptions

Part to attach a duct to take in fresh air from outdoors.

Applicable Models

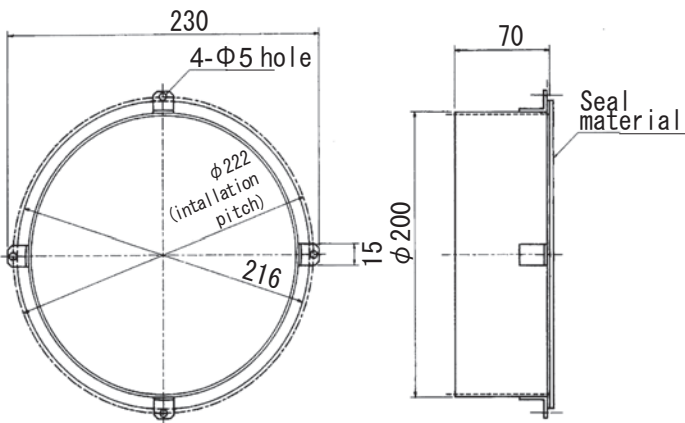
- PCA-RP71HA
- PCA-RP125HA

Specifications

Connecting duct diameter (mm)	200
Material	Hot-dip zinc-coated carbon steel sheet (t0.8)
Accessory	Fixing screw (ST4x10) x 4

Dimensions

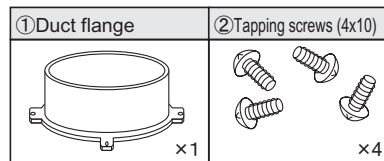
Unit : mm



How to Use / How to Install

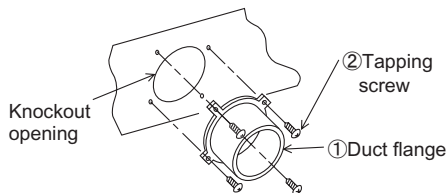
1. Checking Provided Parts

※Make sure that you have all the following parts before installation:



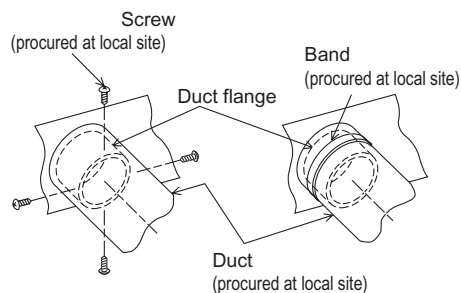
2. Duct Flange Installation Procedure

1. Punch out the knockout opening for installing duct on indoor unit.
2. Use the provided tapping screws ② to secure duct flange ①.



3. Duct Installation Procedure

1. Securely fix the duct (with inner diameter 200 mm) procured at local site to the duct flange, using screws or band.



OPTIONAL PARTS