

## Photo



## Descriptions

For double-branching of the refrigerant piping to connect 2 branch boxes. (Brazing type)

## Applicable Models

- MXZ-8A140VA
- PAC-AK30BC
- PAC-AK50BC

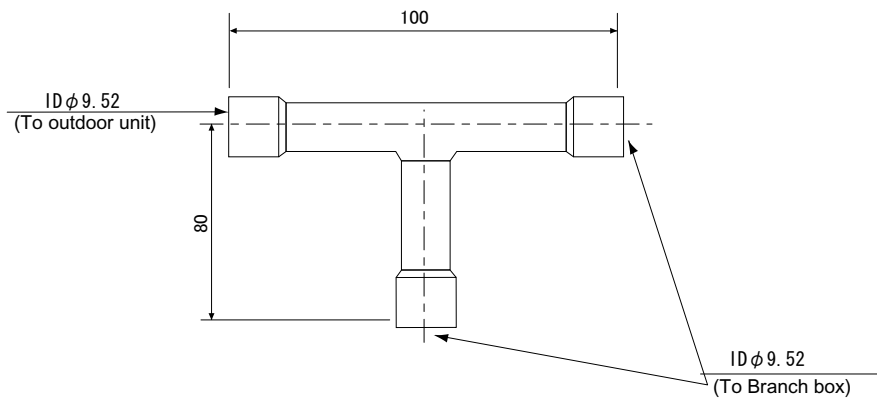
## Specifications

TO BE CONFIRMED

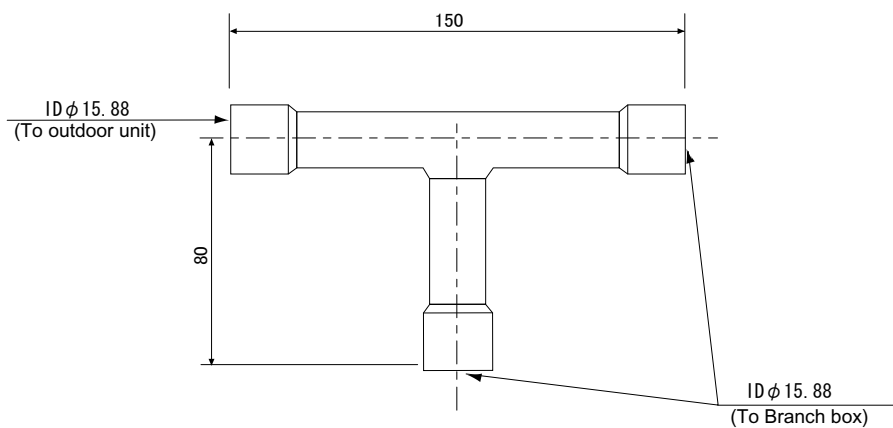
## Dimensions

Unit : mm

### LIQUID PIPE



### GAS PIPE



# How to Use / How to Install

## 2-BRANCH PIPE(JOINT) (MSDD-50BR-E)

※In case of 2 branch box connection for welding

Applicable model
MXZ-8A140VA(R410A type)
MXZ-7A140VC(R22 type)

### The kit contains followings

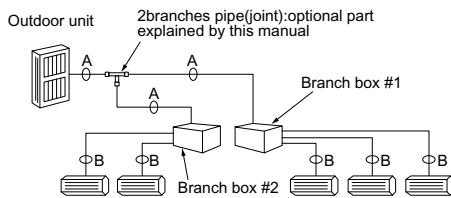
① Manual This one-sheet manual	② Liquid pipe (small: $\phi$ 9.52) X1	③ Gas pipe (large: $\phi$ 15.88) X1	④ Heat-insulation cover (small) X1	⑤ Heat-insulation cover (large) X1	⑥ Pipe (Gas pipe use: $\phi$ 15.88 $\rightarrow$ $\phi$ 19.05) X3
-----------------------------------	--	--	---------------------------------------	---------------------------------------	--

Note: Besides these, please procure the following locally:  
 (1) Tape for sealing the heat insulation covers.  
 (2) Extension pipes for the refrigerant system.

### During installation, be careful about the followings

- Note the limit length of the refrigerant pipe refer to the installation manual of outdoor unit and branch box.
- Note the limits for installing the indoor units refer to the installation manual of outdoor unit and branch box.
- Use solder in connecting any branch joint with any piping system or with the pipe. Insoldering, use oxygen-free solder.
- Each branch joint has a stopper.  
 In connecting any pipe to any branch joint, thrust the pipe home till it clicks.  
 In connecting pipes, take care not to let any dirt or other foreign matter enter any pipe.
- Put a heat insulator into every refrigerant pipe.

### Outline of system and pipe size



(1) Outdoor unit: R410A type (MXZ-8A140VA)

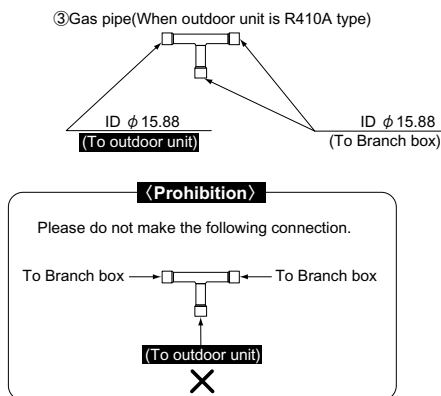
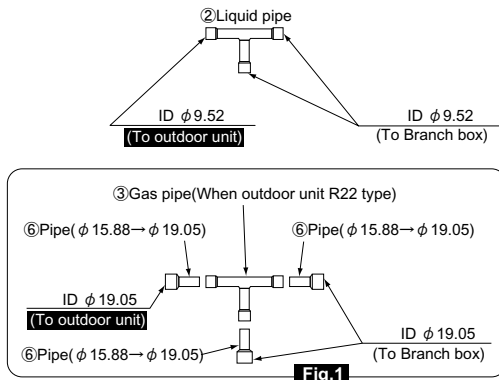
	A	B
Liquid(mm)	$\phi$ 9.52	Refer to installation manual of outdoor unit and branch box
Gas(mm)	$\phi$ 15.88	Refer to installation manual of outdoor unit and branch box

(2) Outdoor unit: R22 type (MXZ-7A140VC)

	A	B
Liquid(mm)	$\phi$ 9.52	Refer to installation manual of outdoor unit and branch box
Gas(mm)	$\phi$ 19.05	Refer to installation manual of outdoor unit and branch box

### See the following for the specifications of liquid pipe, and gas pipe \*

When outdoor unit is R22 type (MXZ-7A140VC), please connect three pipe⑥ to Gas pipe③ according to Fig.1.

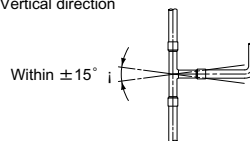


### Installation direction of joint

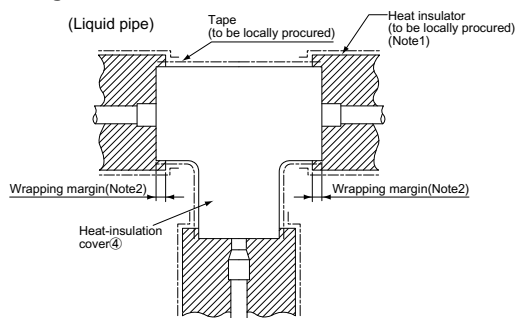
Horizontal direction



Vertical direction



### Installing Heat Insulation Cover and Heat Insulators



• The liquid pipe (small) Make it fit the heat-insulation cover (small) . Seal the mating of the heat-insulation cover with the tape for sealing heat insulators (to be locally procured).

• Do the same with the gas pipe (large), using the heat-insulation cover (large), as with the liquid pipe (small).

Note 1 : Install a heat insulator on every part of the refrigerant pipes (to be locally procured).  
 If you want to use commercially-available heat insulators, use heat-resistant heat insulators (at least 12mm thick).

Note 2 : The pipe covers shrink a little under high heat. Therefore, allow for some wrapping margin in the heat insulators.