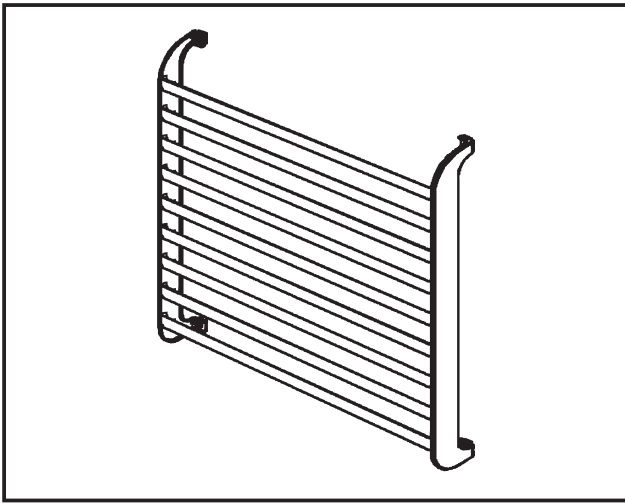




Figure



Descriptions

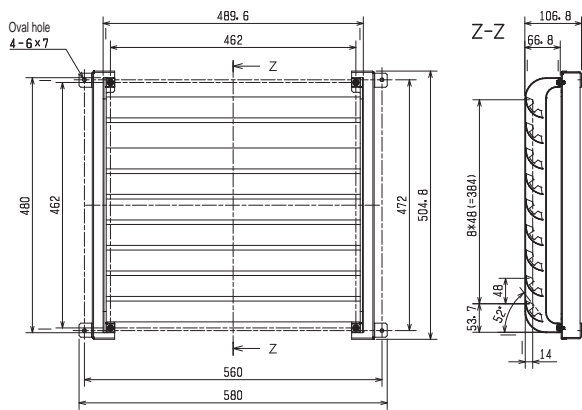
The air outlet guide changes the direction of air from the outdoor unit and prevents short cycling.

Applicable Models

- MUZ-LN50VG
- MUZ-EF50VG
- SUZ-M50VA
- MUZ-AP50/60VG
- MUZ-HR60/71VF

Dimensions

Unit: mm



Specifications

Exterior	Color (Munsell)	Ivory (3.0Y 7.8/1.1)
	Surface treatment	Polyestel powder coating
	Material	Electro-galvanized steel sheet
Weight	2.2 kg	

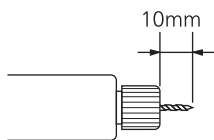
Components

① Air outlet guide ×1	② Screw M5 x 10 × 8	③ Guide support × 2

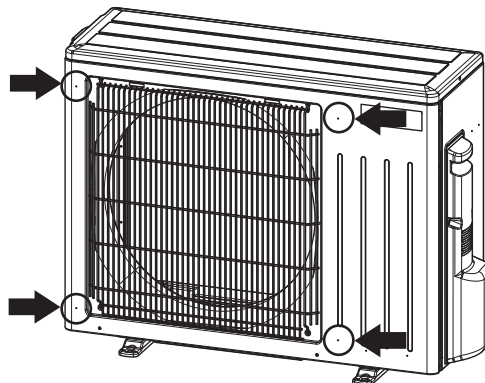
How to Use / How to Install

1. Preparations

- Drill $\varnothing 4.0$ mm screw holes in the front panel at the 4 locations (depressed portions) shown below.
- The length of the drill bit should be about 10 mm as shown in the figure below. If the drill bit is too long, it may damage the parts inside the outdoor unit.



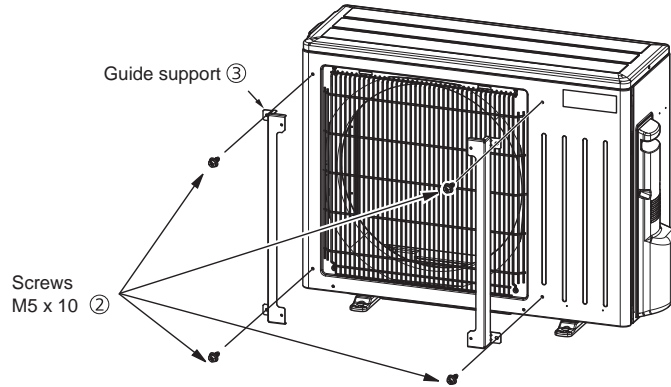
Depressed portions
(4 locations)



OPTIONAL
PARTS

2. Attaching the guide support

- Attach the guide support to the outdoor unit with the 4 screws (M5 x 10).
- *Tghtening torque: 2.5-2.7N·m



3. Attaching the air outlet guide

- Attach the air outlet guide to the outdoor unit with the 4 screws (M5 x 10).
- *Tghtening torque: 2.5-2.7N·m
- The air outlet guide is allowed to be installed in any of the following directions so that air blows upwards, to the right, or to the left.
- * Do not install the air outlet guide in the downward direction, or it may cause short cycling.

Note: Tighten the screws securely.

A chattering sound could be produced due to vibration if the screws are loose.

