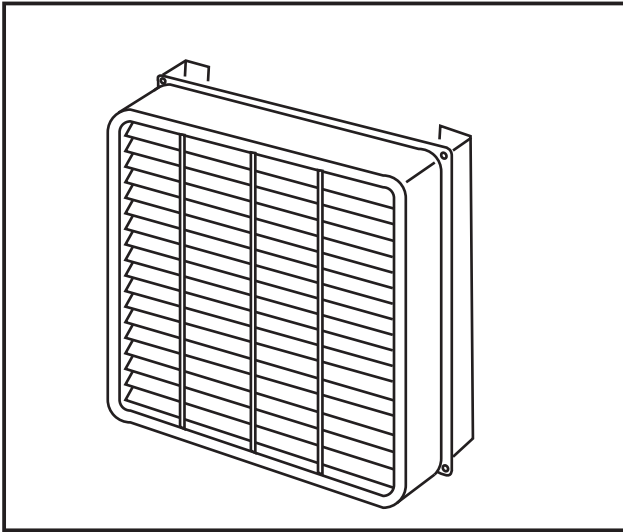


Figure



Descriptions

The air outlet guide changes the direction of air from the outdoor unit and prevents short cycling.

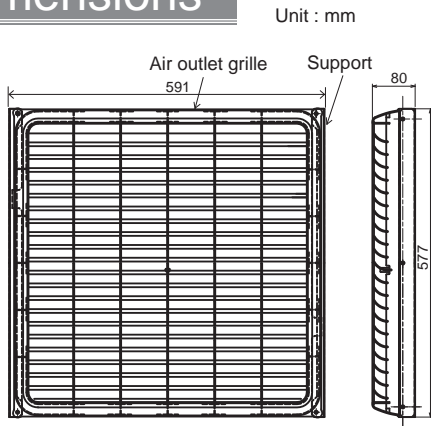
Applicable Models

- MXZ-3D54VA ■ MXZ-4D72VA ■ MXZ-5D102VA
- MXZ-3D68VA ■ MXZ-4D83VA ■ MXZ-3HA50VF

Specifications

Exterior	Color (Munsell)	Ivory (3.0Y7.8/1.1)
	Material	Air outlet grille: PP resin
Air outlet direction		Changeable between up and down
Accessory name x Qty. <Material/Surface treatment>		Support A x 2 (Alloy hot-dip zinc-coated carbon steel sheet / Acrylic resin coating) Support B x 2 (Alloy hot-dip zinc-coated carbon steel sheet / Acrylic resin coating) Screw (5x10) x 14 (Iron/Zinc nickel alloy plated)

Dimensions

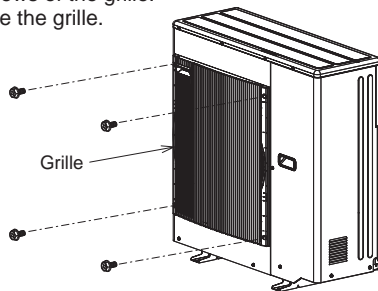


Components

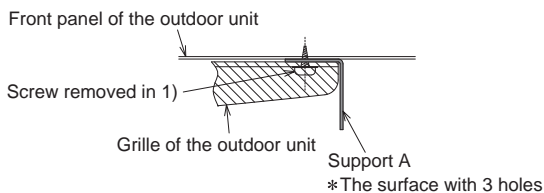
① Air outlet guide x1	② Support A x2	③ Support B x2	④ Screw 5x10 x14

How to Use / How to Install

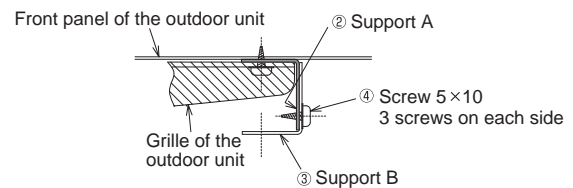
- Remove 4 fixing screws of the grille.
Note) Do not remove the grille.



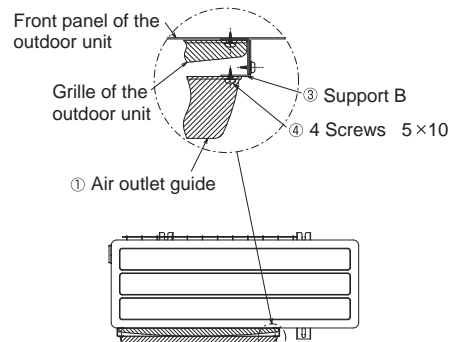
- Insert the support A between the outdoor unit and the grille, and reinstall the screws that removed in 1).
Note) Support A for right side and left side are identical with each other. The surface with 2 holes should face the outdoor unit, and the other surface with 3 holes faces the outside.



- Fix the support B to the support A with 3 screws (5x10) on each right and left side.



- Fix the air outlet guide to the support B with 4 screws 5 x 10.
* The installation direction of the air outlet guide can be selected from 4 directions so that air blows upwards, downwards, to the left, or to the right. Choose the appropriate direction according to the installation environment.



OPTIONAL PARTS