

Package Air-conditioner Free Plan System Optional Parts

4-branch header (CMY-Y64-G-E) 8-branch header (CMY-Y68-G-E)

Always observe for safety

- Carefully read this section 「Always observe for safety」, and securely install the optional parts.
- Be sure to observe the cautions described here: They include critical contents for safety.
- The following indications show the classifications for danger, and possible consequences following incorrect handling.

WARNING	Incorrect handling could lead to death or serious injury.
CAUTION	Incorrect handling could lead to injury or damage to house and household articles.

- After installation, perform a test run and make sure that there is no abnormality, and ask your customer to keep this installation sheet with the instruction manual at all times. Also ask the customer to transfer these manuals to a new user if the user changes.

WARNING

Ask the dealer or specialist for installation.

Carefully install the panel according to this installation sheet.

- If installed incorrectly by user, water leak, electric shock, fire, etc. could result.

- Incorrect installation could cause water leak, electric shock, fire, etc.

Before performing installation (moving) and electrical work

CAUTION

Do not place polyethylene bags in reach of young children.

If electrical work is necessary, use only specified electric wires adapted with current capacity.

- Putting them over the head will block breathing passages, which could result in suffocation.

- Use of unsuitable wire could cause electric leak, overheating or fire.

Securely apply heat-insulation to refrigerant pipe so that no condensation occurs.

Securely perform drain piping work according to the installation manual so that no condensation occurs.

- If heat-insulation is inadequate, condensation could occur on the surface of pipes and dewdrops could accumulate on ceiling, floor or important goods.

- If piping work is incorrect, water leak may occur and ceiling, furniture, etc may get wet.

1 Make sure that all the following parts are in packing box before performing work:

(1) This instruction sheet	(2) Header 1 (thin)	(3) Header 2 (thick)	(4) Pipe cover 1	(5) Pipe cover 2	(6) Band
	×1	×1	×2	×2 for CMY-Y64 ×6 for CMY-Y68	×4
(7) Plug 1 φ6.35×45 ℓ	(8) Plug 2 φ12.7×50 ℓ	(9) Plug 3 * φ9.52×50 ℓ	(10) Plug 4 * φ15.88×50 ℓ	(11) Pipe 1 φ19.05→φ15.88	(12) Pipe 2 * φ15.88→φ12.7
×1 for CMY-Y64 ×3 for CMY-Y68	×1 for CMY-Y64 ×3 for CMY-Y68	×1 for CMY-Y64	×1 for CMY-Y64	×1 for CMY-Y64 ×1 for CMY-Y68	×2 for CMY-Y64
(13) Pipe 3 * φ9.52→φ6.35	(14) Pipe 4 φ15.88→φ19.05	(15) Pipe 5 * φ9.52→φ12.7	(16) Pipe 6 φ12.7→φ9.52	(17) Cover 1 ×10 for CMY-Y64 ×18 for CMY-Y68	
×2 for CMY-Y64	×1 for CMY-Y64 ×1 for CMY-Y68	×1 for CMY-Y64	×1 for CMY-Y68		

Notes

- Components 9,10,12,13,15 marked * are not provided with 8-branch header (CMY-Y68).
- Illustrations of components 2-4 are for 4-branch header.
- Procure the following at local site: 1. Tape for sealing heat insulator and 2. Extension tube for refrigerant circuit.
- Use the 4-branch header when branching 3 tubes or more; 8-branch header when branching 5 tubes or more.

2 Take care with the following when performing work:

- Observe the restrictions in refrigerant tube length and number of installation indoor units that are described in outdoor unit installation manual.
- The tubes branched using header cannot be further branched: Be sure to connect them to indoor units.
- Use anti-oxidization brazing to connect header and tubes, plugs or pipes.
- The header has stoppers: Insert the pipe to be connected all the way in until it stops.
- There is no restriction on installation posture of header.
- Take care that no foreign object, such as dust, enters the tubes during tube connection work.
- Use heat insulator for all refrigerant tubes.

3 Selecting refrigerant tube size and using header

- Procure tubes to be connected at local site.
- Determine the sizes of tubes at each portion according to Tables 1-3.
- The header is designed so that all tubes with sizes selected in step 2 can be connected.
Perform connections referring to Fig. 1 and Tables 4-7.
Connect each pipe to match the size, appropriately judging the following:
Use without any processing, Use with part cut, or Use while connecting pipe.
- Brace the provided plugs 1-4 (7)-(10) to stop up the pipe openings in headers which are not used.
- If pipes are cut using pipe cutter, etc., deburr the tubes, remove any foreign object, and then connect the tubes.

Table 4

Pipe type	Pipe dia. for outdoor unit (Liquid/gas)		
	φ9.52/φ15.88	φ9.52/φ19.05	φ12.7/φ19.05
Liquid pipe [(2) header 1 (thin)]	Use with Z dimension	Use with Z dimension	Cut to Y dimension
Gas pipe [(3) header 2 (thick)]	Connect (11) pipe 1	Use with Z dimension	Use with Z dimension
Liquid pipe [(2) header 1 (thin)]	Connect (16) pipe 6	Connect (16) pipe 6	Use with Z dimension
Gas pipe [(3) header 2 (thick)]	Connect (11) pipe 1	Use with Z dimension	Use with Z dimension

Note: When cutting to Y dimension, fix X dimension securely, and use a pipe cutter, etc. to cut it.

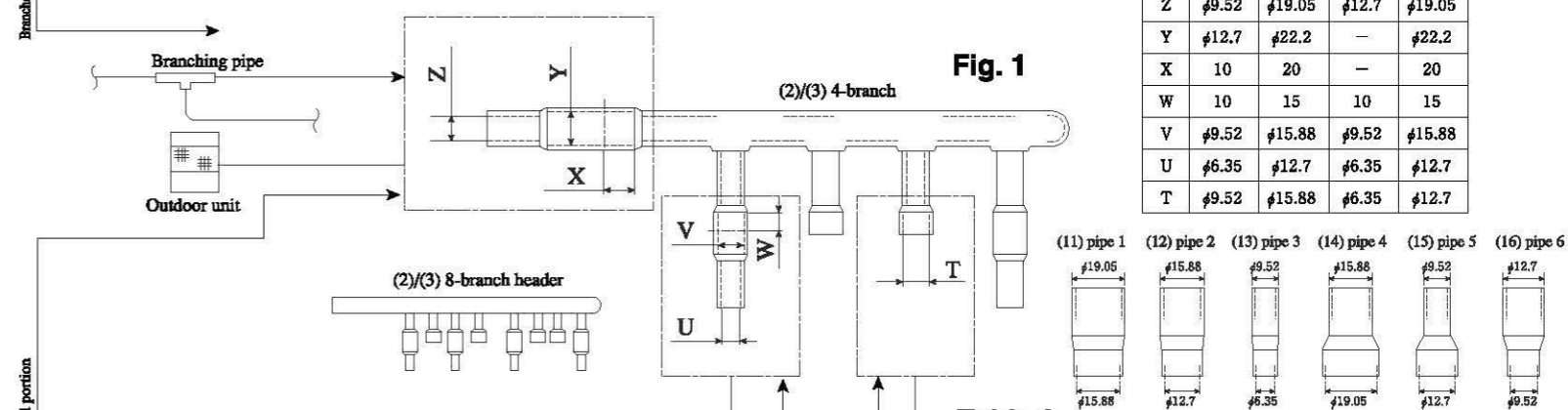


Table 7

Pipe dia.	Pipe dia.			
	4-branch (CMY-Y64)		8-branch (CMY-Y68)	
	Liquid pipe	Gas pipe	Liquid pipe	Gas pipe
Z	φ9.52	φ19.05	φ12.7	φ19.05
Y	φ12.7	φ22.2	—	φ22.2
X	10	20	—	20
W	10	15	10	15
V	φ9.52	φ15.88	φ9.52	φ15.88
U	φ6.35	φ12.7	φ6.35	φ12.7
T	φ9.52	φ15.88	φ6.35	φ12.7

Table 5

Pipe type	Pipe dia. of outdoor unit (Liquid/gas)			
	φ9.52/φ15.88	φ9.52/φ19.05	φ12.7/φ19.05	φ9.52/φ22.2
Liquid pipe [(2) header 1 (thin)]	Use with Z dimension	Use with Z dimension	Cut to Y dimension	Use with Z dimension
Gas pipe [(3) header 2 (thick)]	Connect (11) pipe 1	Use with Z dimension	Use with Z dimension	Cut to Y dimension
Liquid pipe [(2) header 1 (thin)]	Connect (16) pipe 6	Connect (16) pipe 6	Use with Z dimension	Connect (16) pipe 6
Gas pipe [(3) header 2 (thick)]	Connect (11) pipe 1	Use with Z dimension	Use with Z dimension	Cut to Y dimension

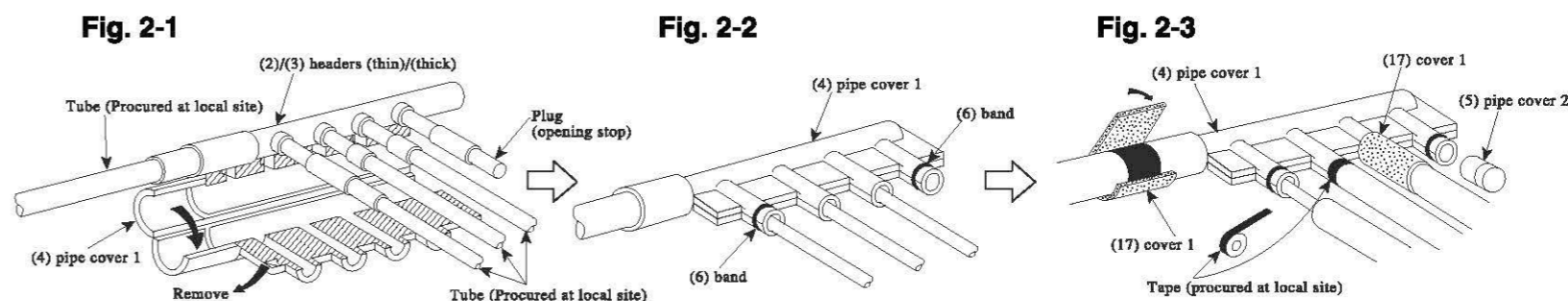
Note: When cutting to Y dimension, fix X dimension securely, and use a pipe cutter, etc. to cut it.

Table 6

Pipe type	Pipe dia. of indoor unit (Liquid/gas)			
	φ6.35/φ12.7	φ9.52/φ15.88	φ9.52/φ19.05	φ12.7/φ19.05
Liquid pipe [(2) header 1 (thin)]	Connect (13) pipe 3	Use with T dimension	Use with T dimension	Connect (15) pipe 5
Gas pipe [(3) header 2 (thick)]	Connect (12) pipe 2	Use with T dimension	Connect (14) pipe 4	Connect (14) pipe 4
Liquid pipe [(2) header 1 (thin)]	Use with T dimension			
Gas pipe [(3) header 2 (thick)]	Use with T dimension			
Liquid pipe [(2) header 1 (thin)]	Use with U dimension	Cut to V dimension	Cut to V dimension	Cut to V dimension and connect (15) pipe 5
Gas pipe [(3) header 2 (thick)]	Use with U dimension	Cut to V dimension	Cut to V dimension and connect (14) pipe 4	Cut to V dimension and connect (14) pipe 4

Note: When cutting to V dimension, fix W dimension securely, and use a pipe cutter, etc. to cut it.

4 Attaching pipe cover (heat insulator)



- Fit (2) (thin) or (3) (thick) header in (4) pipe cover 1, remove the paper pasted in the shaded position from (4) pipe cover 1, and then place the other (4) pipe cover 1 onto (2) (thin) or (3) (thick) header.
- Use (6) bands to bind both ends of indoor unit branches of (4) pipe cover 1 as shown above.
- Attach (5) pipe cover 2 to the openings which were stopped up by (7)-(10) plugs. Use tape (procured at local site) to securely seal the butted portion of heat insulators, and then wind (17) cover 1 around this portion.